

# Chest Strap

## Installation Guidelines

(TS-001 – 008)

- ⚠ IMPORTANT NOTES:**
- Please read instructions and refer to diagram before attempting to fit this product.
  - For safety, correct support and user comfort, a suitably qualified person should carry out the installation.
  - We recommend that this product should be used in conjunction with a properly fitted pelvic belt.
  - **UNDER NO CIRCUMSTANCES** should this Harness be used as the sole method of securing the User in their wheelchair during transportation in a motor vehicle.



### FITTING:

**✂ TOOLS REQUIRED:** 4 mm Hexagon Key, Pozi drive screwdriver.

Seat the User in the wheelchair and place the Chest Strap around the user to determine the correct postural position.

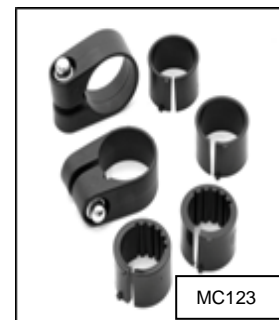
Establish suitable positions for the Support straps to be attached. The Chest Strap is supplied with a Kit containing two optional methods of attaching the straps to suitable mounting points.



The RMS Universal Mounting Clamps (Part Number MC123) are suitable for round tube frames of 19, 22 or 25mm Diameter).

These Clamps then provide a mounting position that can be used in conjunction with either Tri-slot Mounting Plates or Cam - Lock Mounting Plates, both types being enclosed with this Kit. To attach the RMS frame clamps MC123, install the clamps, together with any appropriate size spacer shim, onto the frame tubes in the most suitable position, to create a suitable line of pull.

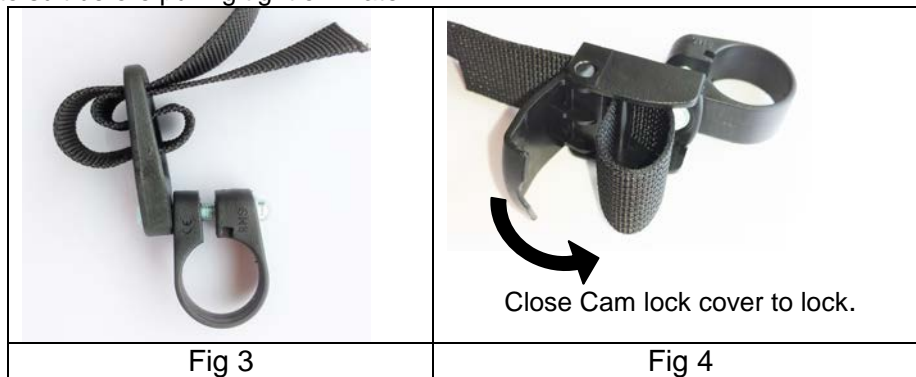
Screws should be tightened sufficient to prevent any movement of the Clamps, although this may allow the Plates to revolve around the screws, with some resistance.

**⚠ NOTE:** Ensure the locating lugs on any spacer shims engage into the slots in the Clamps.



	<p>Fitment of the Tri-slot or Cam-lock mounting plates (examples of both shown) as necessary, to a backrest cane can be achieved using the MC123 kit as shown in Fig. 1.</p> <p>These plates could also be mounted directly to a fixed back unit.</p>		<p>If the wheelchair has a back canvas fitted it may be possible to fit the Tri-slot mounting plate using an existing upholstery screw attachment point. Fig.2</p>
<p>Fig. 1</p>		<p>Fig. 2</p>	

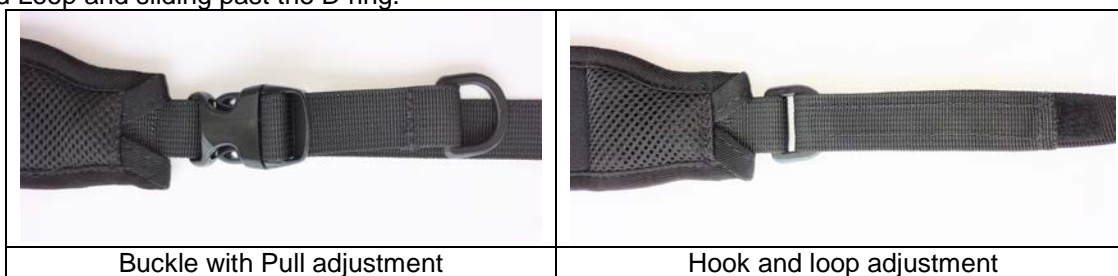
With the Tri-Slot Mounting Plate option, these should be installed onto the webbing straps as in Fig.3. Adjust strap length to suit before pulling tight on Plate.




With the Cam-Lock Mounting Plate option, these should be installed onto the webbing straps as in Fig.4. Adjust the strap length to suit before pulling tight and locking cam cover on Plate

### **USER / CARER Guidelines**

- Further Strap adjustment is available through the use of a double pull type strap or Hook and Loop fasteners.
- The Chest Strap padded support can be removed by either releasing the two buckles or undoing the Hook and Loop and sliding past the D ring.



- 
 • Please be aware that when releasing the Chest Strap the patient may fall forward, care should be taken to prevent this.



- Users, carers or attendants should be aware of any possible hygiene risks to themselves and others.

- Washing Instructions: 60°C Machine Wash and Hang Dry.



- The Chest Strap may also be cleaned by lightly sponging with warm soapy water with a little disinfectant added, and should be thoroughly wiped dry with a clean absorbent cloth..
- Ensure all surfaces are dry before re-use.



- It is recommended the Chest Strap be inspected at regular intervals, by a suitably qualified person, to ensure correct fitment, security and serviceability.
- The User should be regularly checked for signs of discomfort, distress and signs of pressure related redness on the skin, if noted, a suitably qualified person should be consulted immediately.

Should you require further information on this or any other product in the RMS range, please contact our Technical Help-line on 01795-477280