

# STANDY

ENGLISH - COD 22082 - 01-04-2010

The **STANDY stabilizer** is the result of our consolidated experience, our constant research on materials and our attempt to optimize postures. Particular attention has been paid to form and colour as an integral part of the project.



# STANDY



PRODUCT TESTED BY

**TÜV**BERLIN

CE

COMPANY WITH QUALITY MANAGEMENT  
SYSTEM CERTIFIED BY DNV  
= ISO 9001:2008 =

**RMS**

 design and quality  
MADE IN ITALY since 1980

**ORMESA**®

Thompson House, Unit 10, Styles Close, Sittingbourne, Kent ME10 3BF  
T: 01795 477280 E: sales@rms-kent.co.uk  
www.inedawheelchair.co.uk





**CORRECT POSITION of ARMS**



**HOW TO POSITION the WORK TABLE**

▶ **OPTIONAL 902** - adjustable front **footrest+straps**

▶ **OPTIONAL 861** - set of 4 wheels with brakes



▶ **OPTIONAL 857** - **side support** for the pelvis



▶ **OPTIONAL 865** - **headrest**



**REMOVE THE HANDLE FOR THOSE WHO ARE NOT SELF - SUFFICIENT** using the special wrench



**CORRECT POSITION of FEET**

**SAFETY LOCK**  
to close backrest

height adjustable **CHEST SUPPORT**

**ANATOMICAL WORK TABLE** with **RAISED EDGE** adjustable in height and completely removable



**STANDY 3** how to close the backrest



**HOW TO CLOSE the BACKREST**

height adjustable **WORK TABLE**.  
Semi-rigid side protection

height adjustable **FRAME**  
painted with polyester and  
epoxi-poliester varnishes

**KNEE PADS**: adjustable in  
width, depth and height

**TRANSPORT WHEELS**

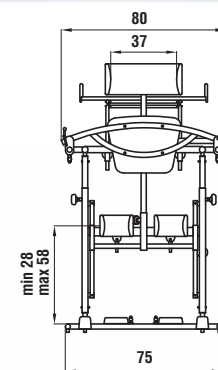
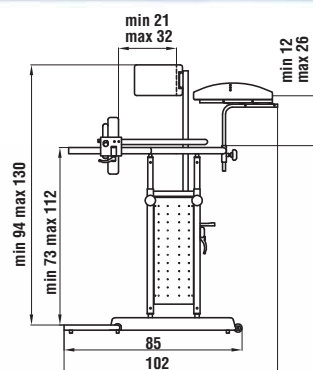
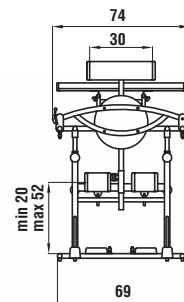
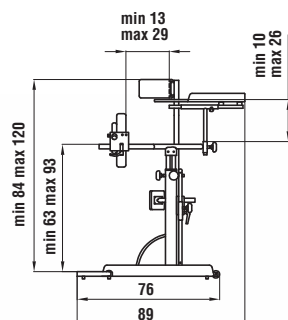
**NON-SLIP** aluminium  
**FOOTBOARD**

width and depth adjustable  
**HEEL RESTS**



**CORRECT POSITION of KNEES and FEET**

**DIMENSIONS** in cm and kg



**STANDY 3 medium** - Weight kg. 28,9 - Max. capacity kg. 90

**STANDY 4 large** - Weight kg. 38 - Max. capacity kg. 120



**ADJUSTMENT of the BACK SUPPORT**  
by using the supplied wrench



**STANDY 3** for children from **8 to 14**