

REHABILITATION MANUFACTURING SERVICES Ltd

CHAILEY ROLLERCOASTER HEADREST



R
M
S

SPARE PARTS / ASSEMBLY MANUAL
EDITION 1.
JULY 2012

R M S REHABILITATION MANUFACTURING SERVICES Ltd
CHAILEY ROLLERCOASTER HEADREST

SMALL NECKREST ASSEMBLY

PARTS DETAILS

CODE	DESCRIPTION	PART No.
1	Small Neck Pad / Fixings and Cover	RCHS 10
1A	Small Neck Cover ONLY	RCHS 10CV
2	Small Spine Tube.	RCHS 11
3	Small Stop/ Clamp Set x2	RCHS 12

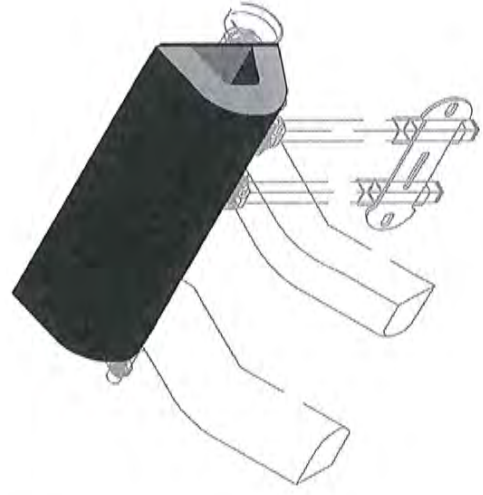
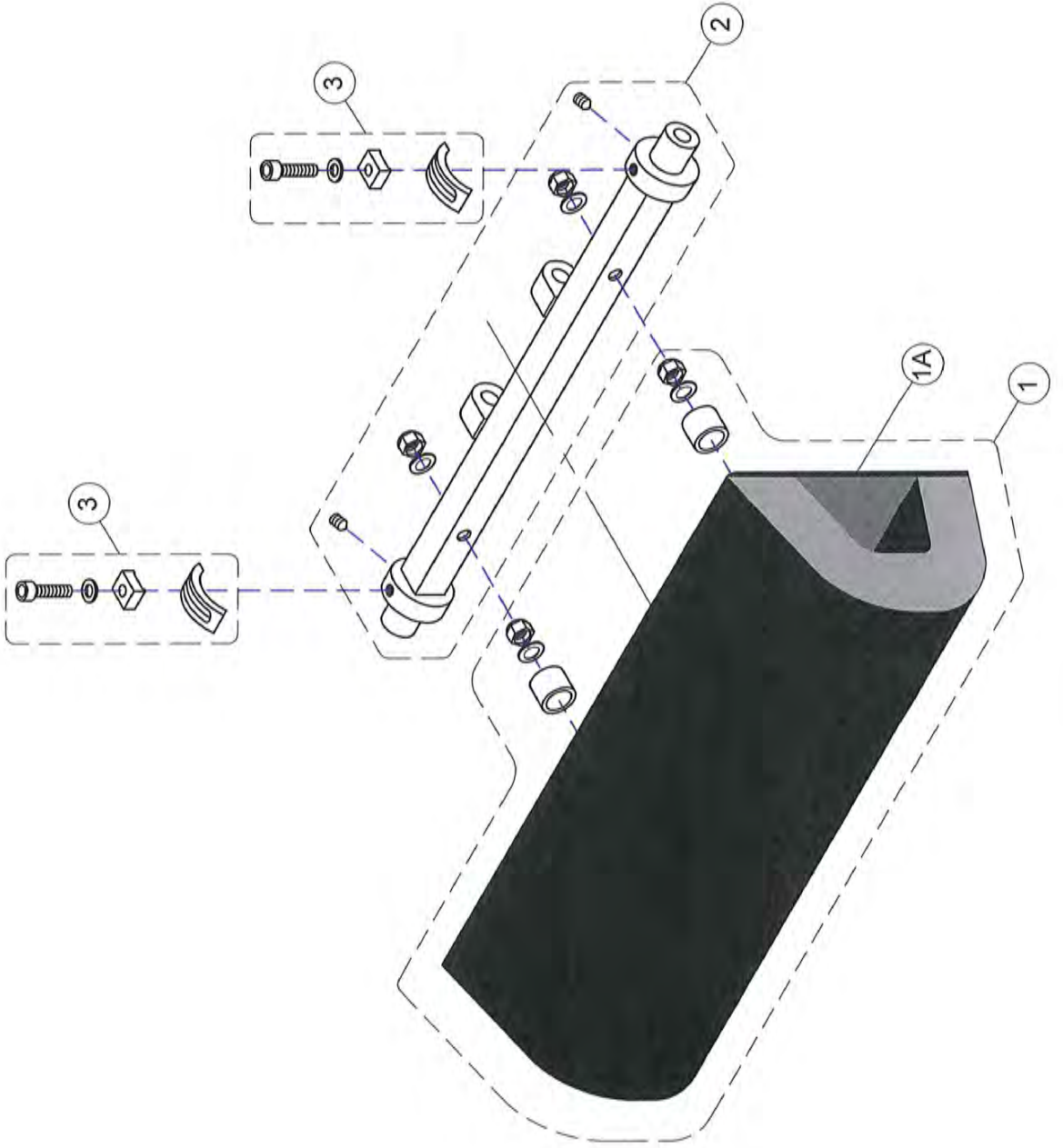


DIAGRAM: 1

(EDITION 1)

DRAWN BY

WMJ 11/7/12

Not to Scale

R M S REHABILITATION MANUFACTURING SERVICES Ltd
CHAILEY ROLLERCOASTER HEADREST

SMALL LEFT SWING ARM ASSEMBLY

PARTS DETAILS

CODE	DESCRIPTION	PART No.
1	Small Neck Support Arm Body. For Left Hand Side With Cover.	RGHS 13
1A	Replacement Small Neck Support Arm Body. For Left Hand Side Cover ONLY.	RGHS 13CV
2	Small Adjustment Arm Left Hand Side. Left Hand Thread	RGHS 14
3	Small Left Hand Swing Arm Assy	RGHS 15
4	Small Hand Wheel Assy.	RGHS 16

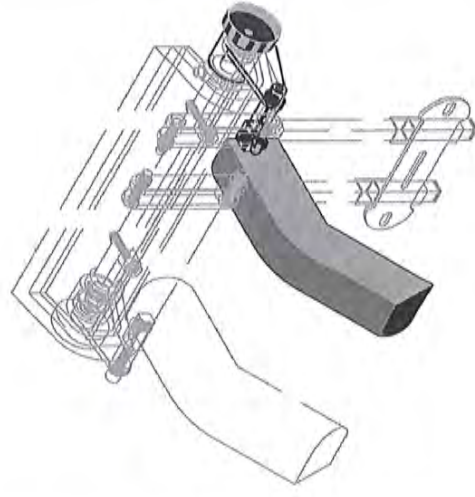
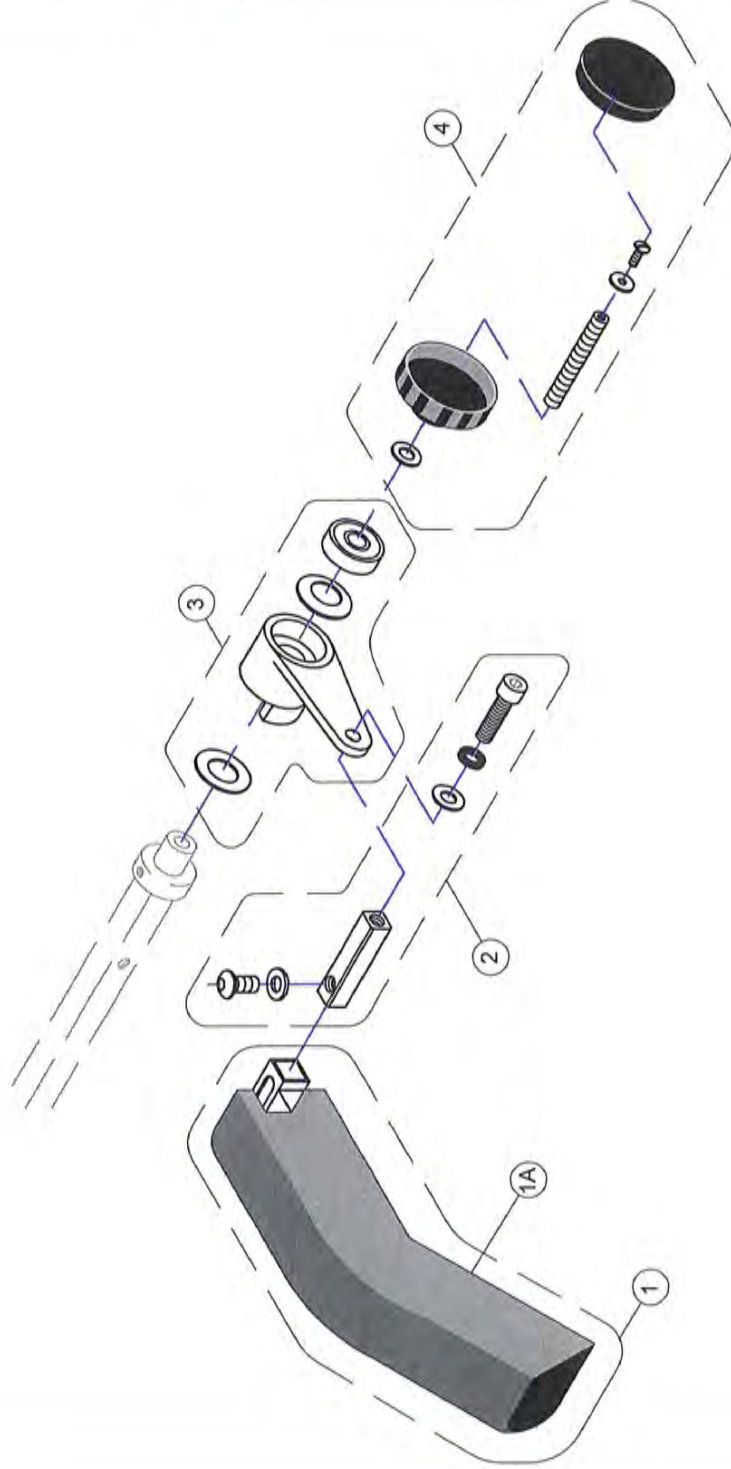


DIAGRAM: 2

(EDITION 1)

DRAWN BY

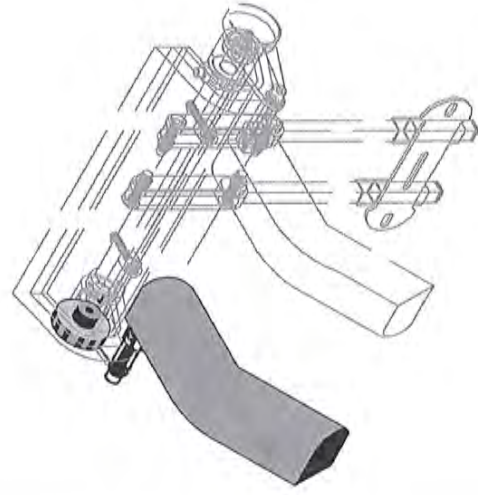
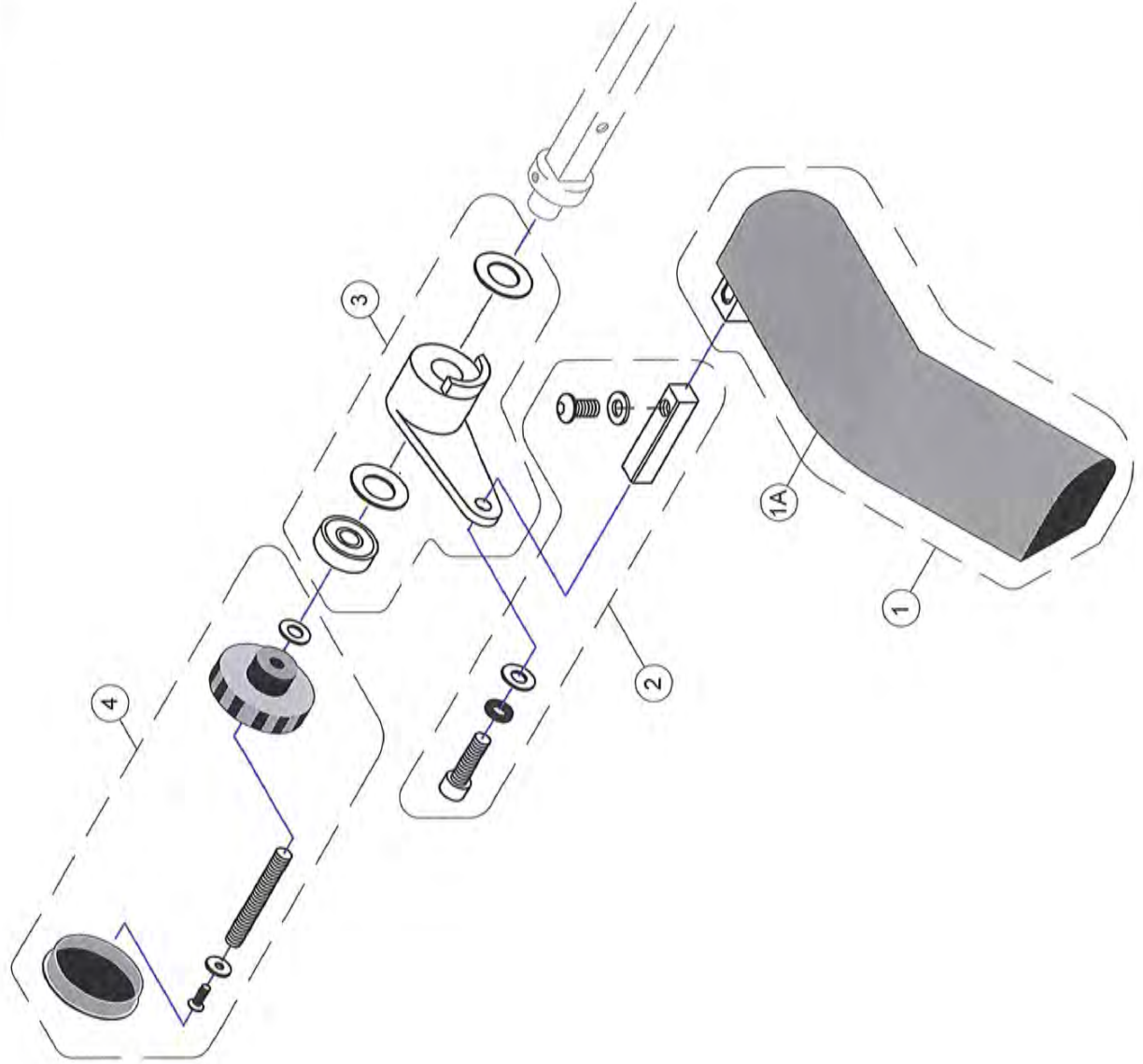
WMJ

11/7/12

Not to Scale

RMS REHABILITATION MANUFACTURING SERVICES Ltd
CHAILEY ROLLERCOASTER HEADREST

SMALL RIGHT SWING ARM ASSEMBLY



PARTS DETAILS		
CODE	DESCRIPTION	PART No.
1	Small Neck Support Arm Body. For Right Hand Side With Cover.	RCHS 17
1A	Replacement Small Neck Support Arm Body. For Right Hand Side Cover ONLY .	RCHS 17CV
2	Small Adjustment Arm Right Hand Side. Right Hand Thread	RCHS 18
3	Small Right Hand Swing Arm Assy.	RCHS 19
4	Small Hand Wheel Assy.	RCHS 16

DIAGRAM: 3 (EDITION 1)
 DRAWN BY: WMJ 11/7/12 Not to Scale

RMS REHABILITATION MANUFACTURING SERVICES Ltd
CHAILEY ROLLERCOASTER HEADREST

LARGE NECKREST ASSEMBLY

PARTS DETAILS

CODE	DESCRIPTION	PART No.
1	Large Neck Pad / Fixings and Cover	RCHS 20
1A	Large Neck Cover. ONLY	RCHS 20CV
2	Large Spine Tube.	RCHS 21
3	Large Stop/ Clamp Set x2	RCHS 22

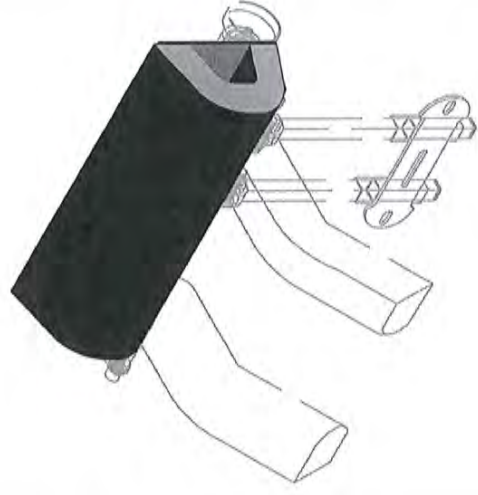
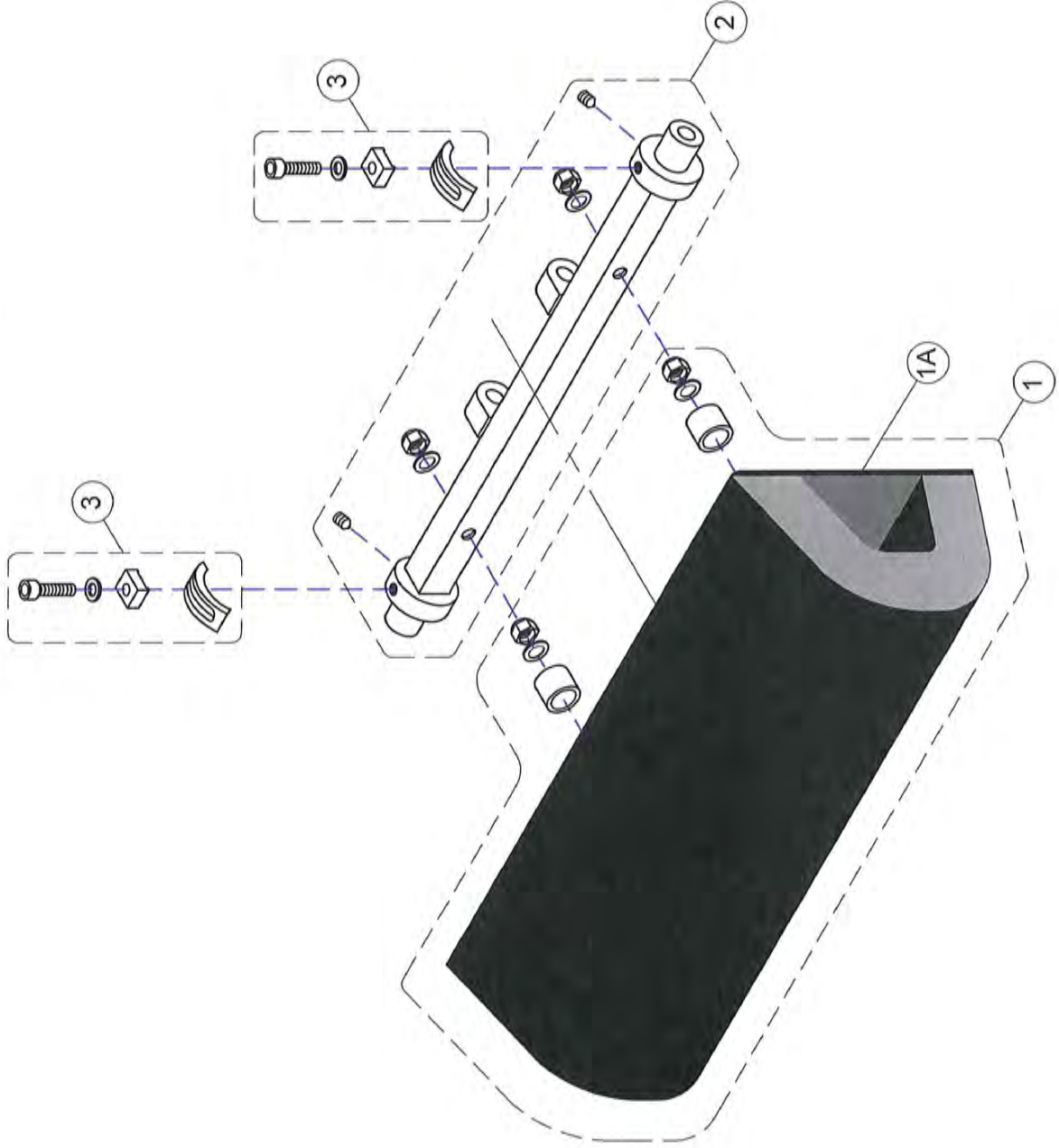


DIAGRAM: 4

(EDITION 1)

DRAWN BY

WMJ

11/7/12

Not to Scale

RMS REHABILITATION MANUFACTURING SERVICES Ltd
CHAILEY ROLLERCOASTER HEADREST

LARGE LEFT SWING ARM ASSEMBLY

PARTS DETAILS

CODE	DESCRIPTION	PART No.
1	Large Neck Support Arm Body. For Left Hand Side With Cover.	RCHS 23
1A	Replacement Large Neck Support Arm Body. For Left Hand Side Cover ONLY .	RCHS 23CV
2	Large Adjustment Arm Left Hand Side. Left Hand Thread.	RCHS 24
3	Large Left Hand Swing Arm Assy.	RCHS 25
4	Large Hand Wheel Assy.	RCHS 26

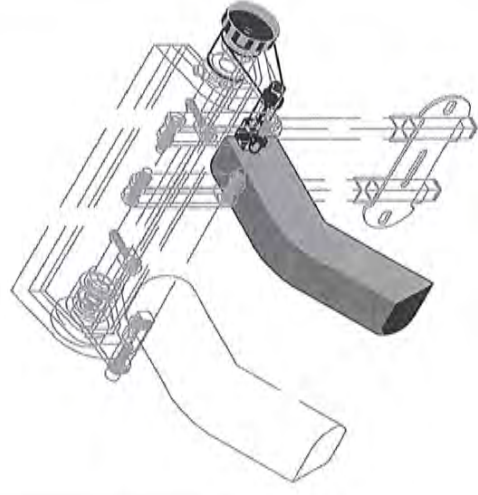
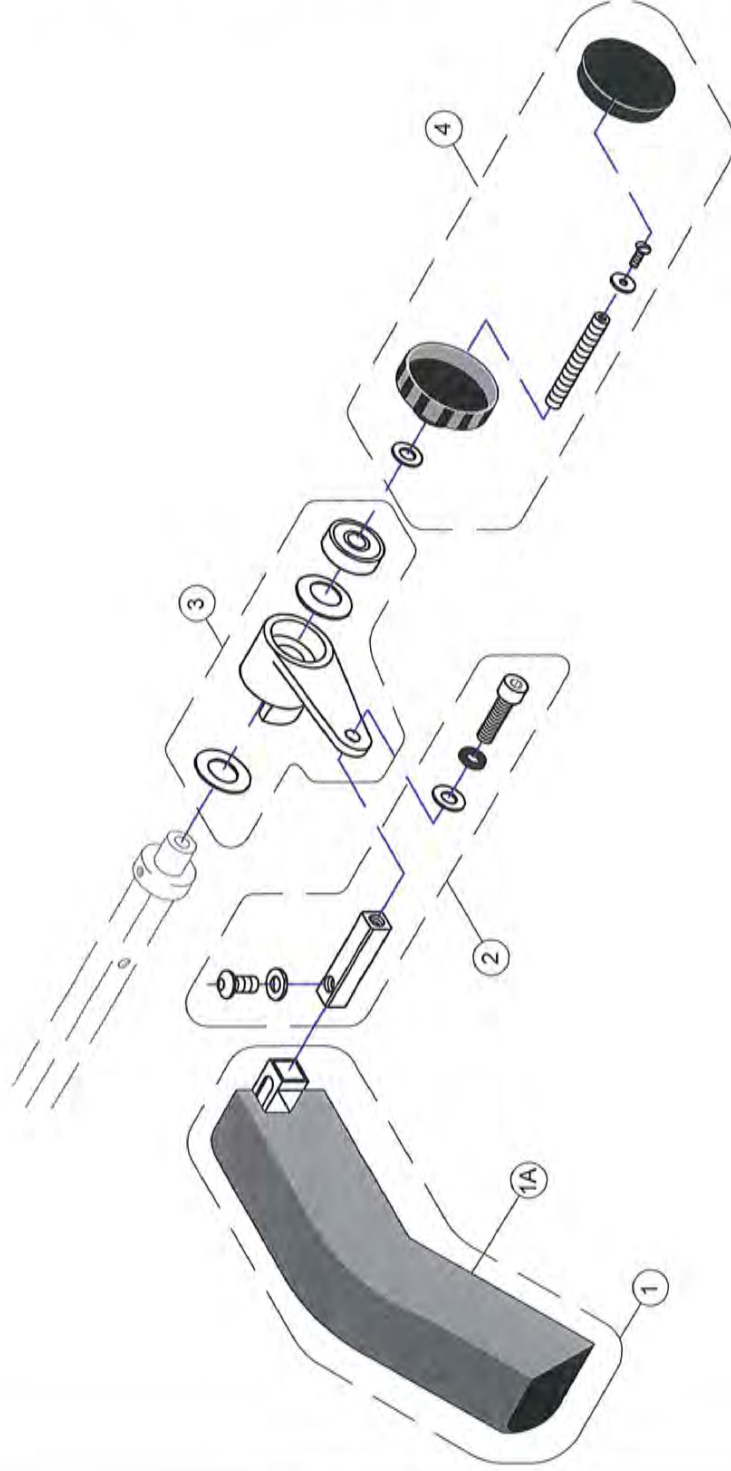


DIAGRAM: 5

(EDITION 1)

DRAWN BY

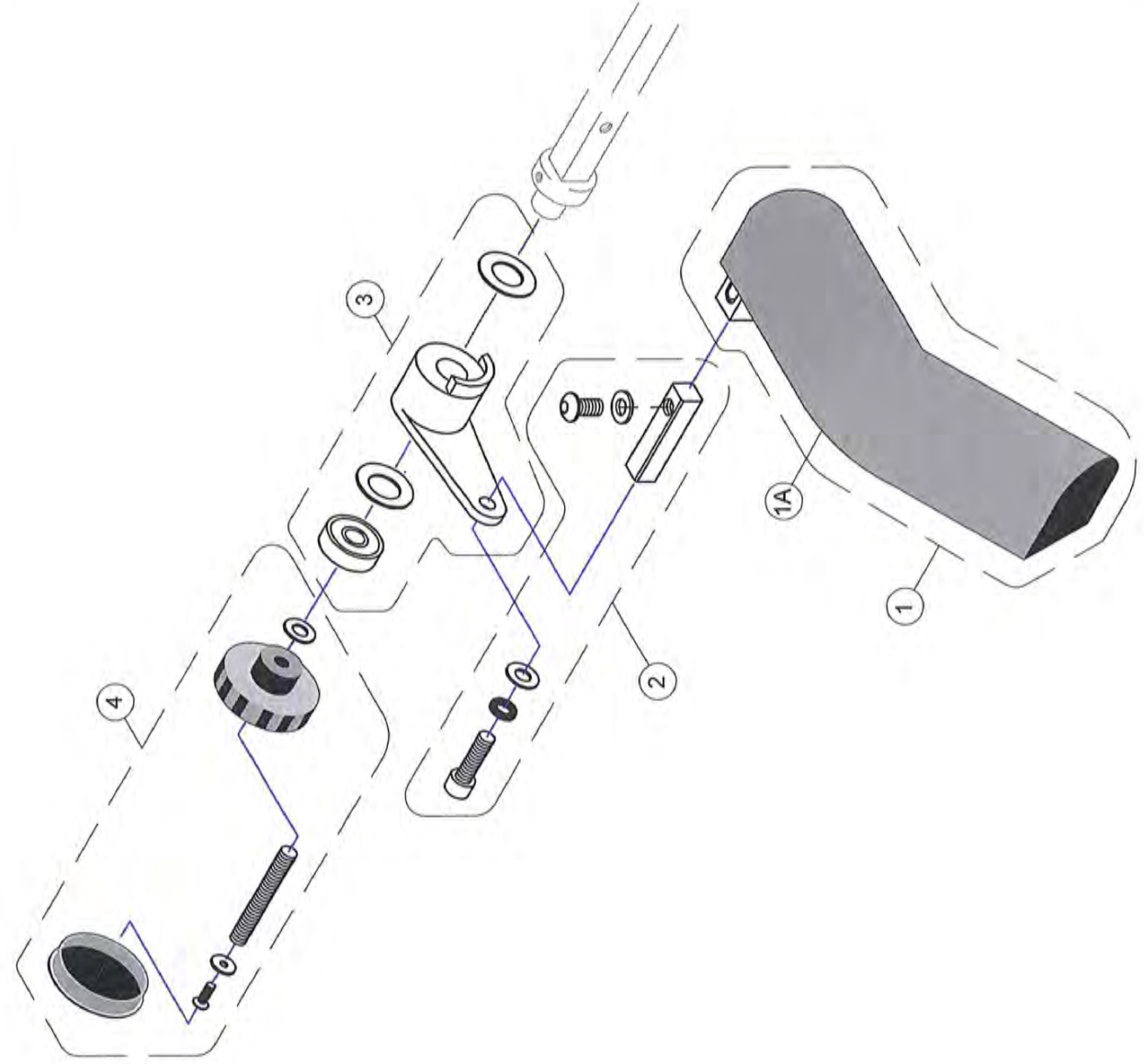
WMJ

10/7/12

Not to Scale

**R M S REHABILITATION MANUFACTURING SERVICES Ltd
CHAILEY ROLLERCOASTER HEADREST**

**LARGE RIGHT SWING ARM
ASSEMBLY**



PARTS DETAILS

CODE	DESCRIPTION	PART No.
1	Large Neck Support Arm Body. For Right Hand Side With Cover.	RGHS 27
1A	Replacement Large Neck Support Arm Body. For Right Hand Side Cover ONLY.	RGHS 27CV
2	Large Adjustment Arm Right Hand Side. Right Hand Tread.	RGHS 28
3	Large Right Hand Swing Arm Assy.	RGHS 29
4	Large Hand Wheel Assy.	RGHS 26

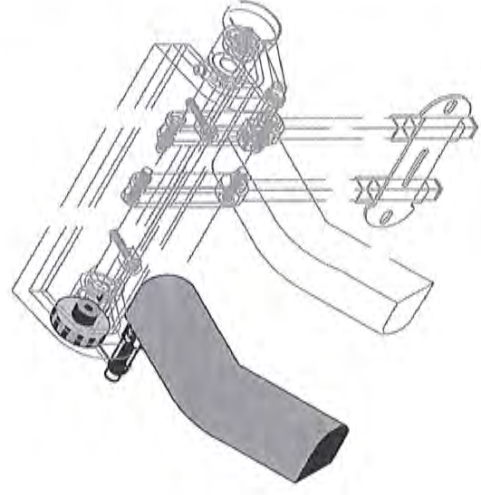


DIAGRAM: 6

(EDITION 1)

DRAWN BY

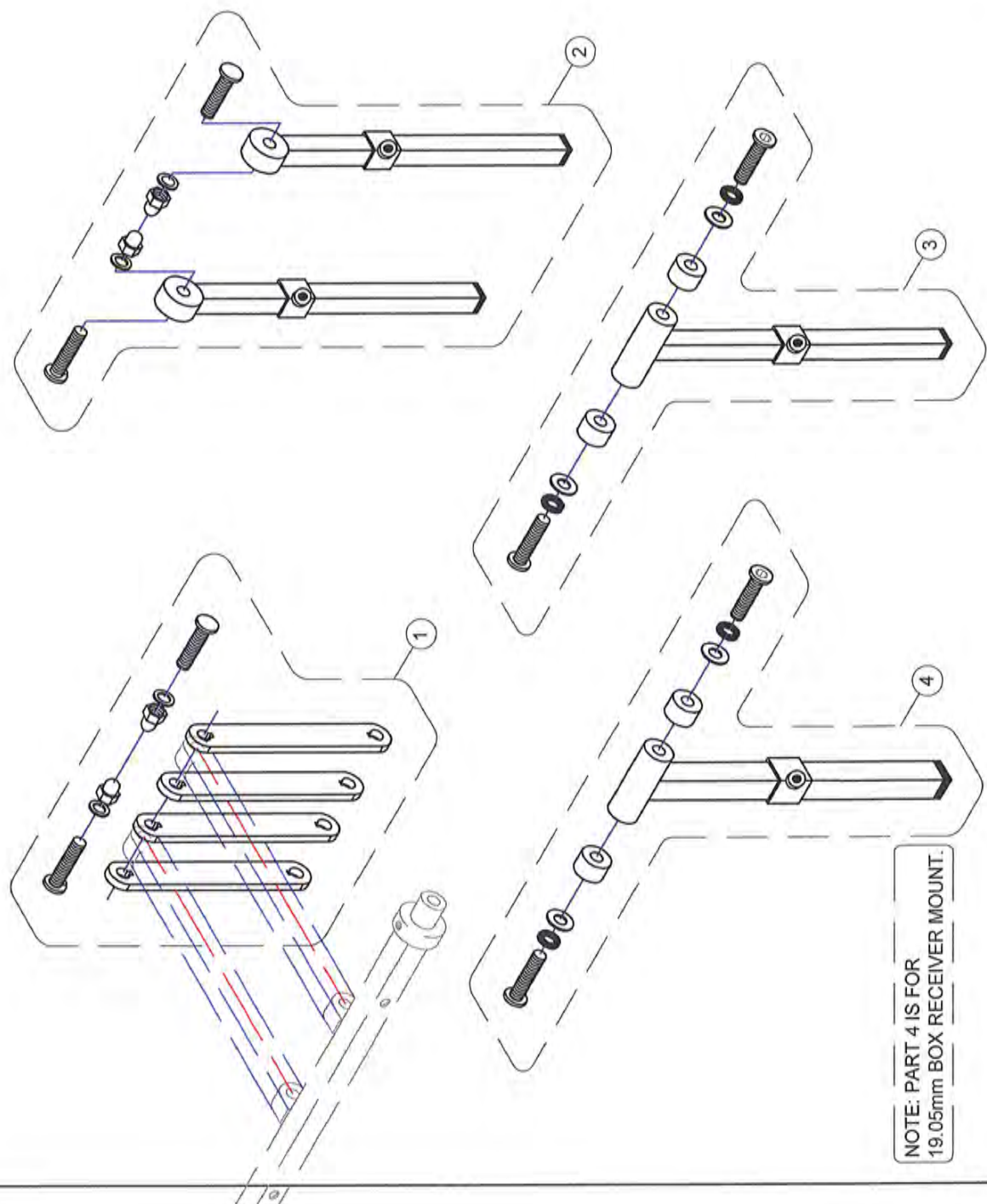
WMJ

10/7/12

Not to Scale

RMS REHABILITATION MANUFACTURING SERVICES Ltd
CHAILEY ROLLERCOASTER HEADREST

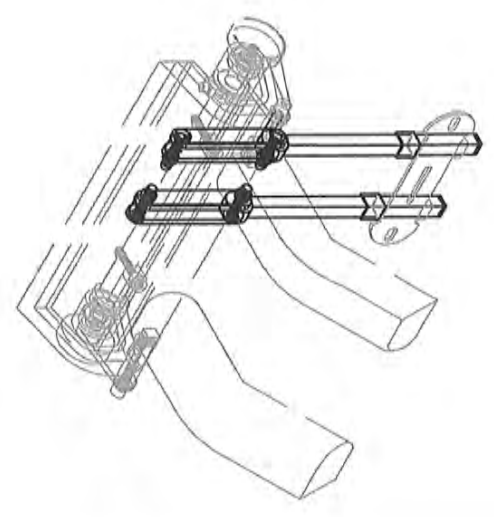
LINKS AND STEMS ASSEMBLY
FOR USE WITH SMALL & LARGE HEADREST



NOTE: PART 4 IS FOR
 19.05mm BOX RECEIVER MOUNT.

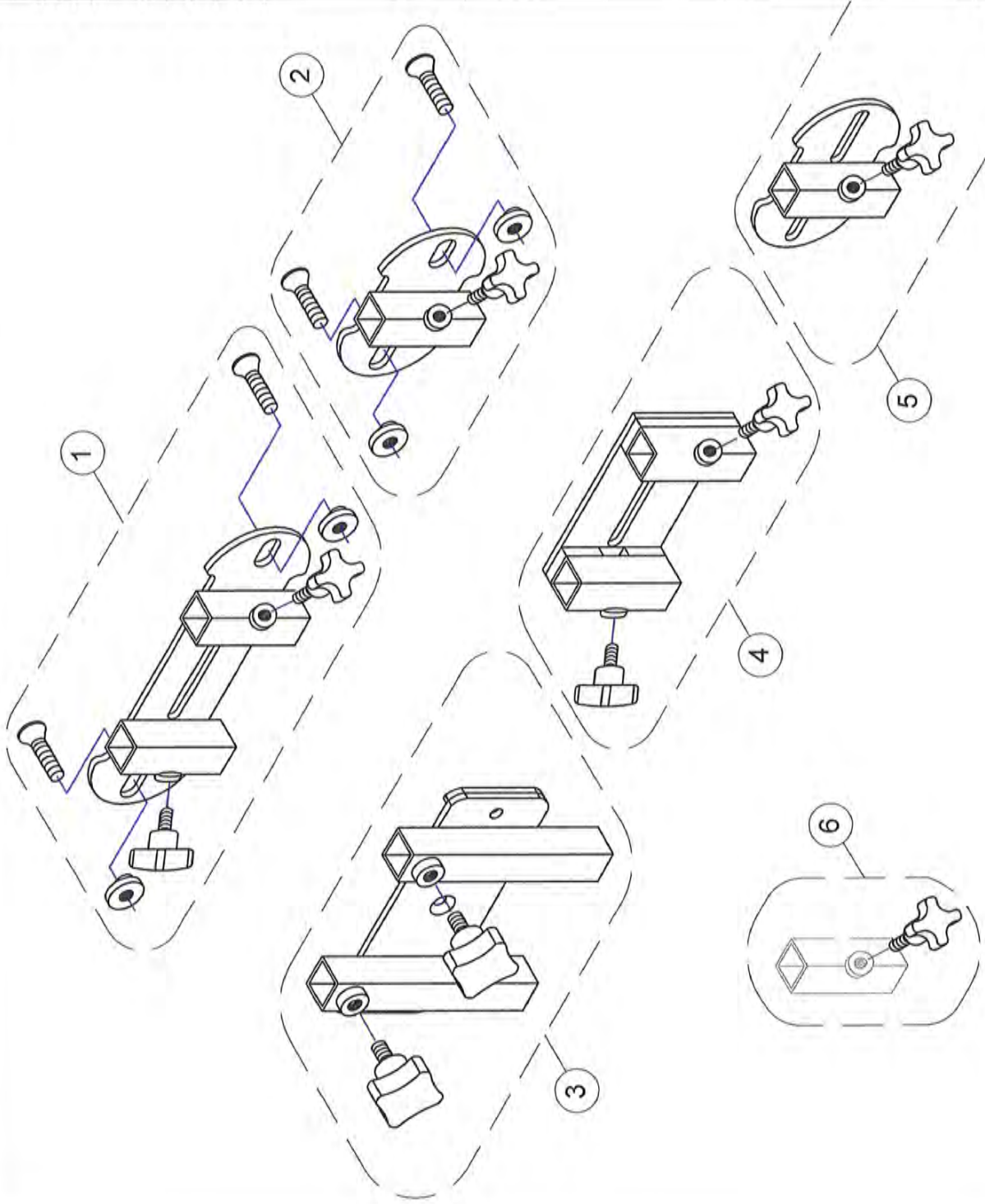
PARTS DETAILS

CODE	DESCRIPTION	PART No.
1	4X 50mm Link + Fixings	RCHS 01-50X4
	4X 75mm Link + Fixings	RCHS 01-75X4
	4X 100mm Link + Fixings	RCHS 01-100 X4
	4X 125mm / 150mm Link + Fixings	RCHS 01-125 X4
2	Pair Of Twin Vertical Stem C/W Fixings & Collars. For Two Point Headrest Mount.	RCHS 06
3	One Point Headrest Stem Assy. (12.7mm SQ Stem)	RCHS 05.9
4	One Point Headrest Stem Assy. (15.88mm SQ Stem)	RCHS 05.8



R M S REHABILITATION MANUFACTURING SERVICES Ltd
CHAILEY ROLLERCOASTER HEADREST

MOUNTS
FOR USE WITH STD 12.7mm SQ
SINGLE & TWIN STEMS



PARTS DETAILS

CODE	DESCRIPTION	PART No.
1	Standard Twin Stem Mount Plate. For Rollercoaster with Twin Stems.	RCHS 02A
2	Standard Single Stem Mount.	2G-04-06
3	Chailey Spec Caps 2 Twin Mount	RCHS 07
4	Chailey Spec Twin Stem Mount	RCHS 03A
5	Chailey Spec Single Stem Mount	RCHS 04A
6	M6 Male Knob	L9-P06-06

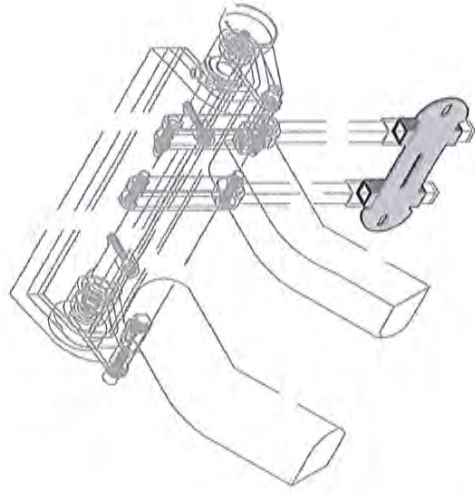


DIAGRAM: 8

(EDITION 1)

DRAWN BY

WMJ

10/7/12

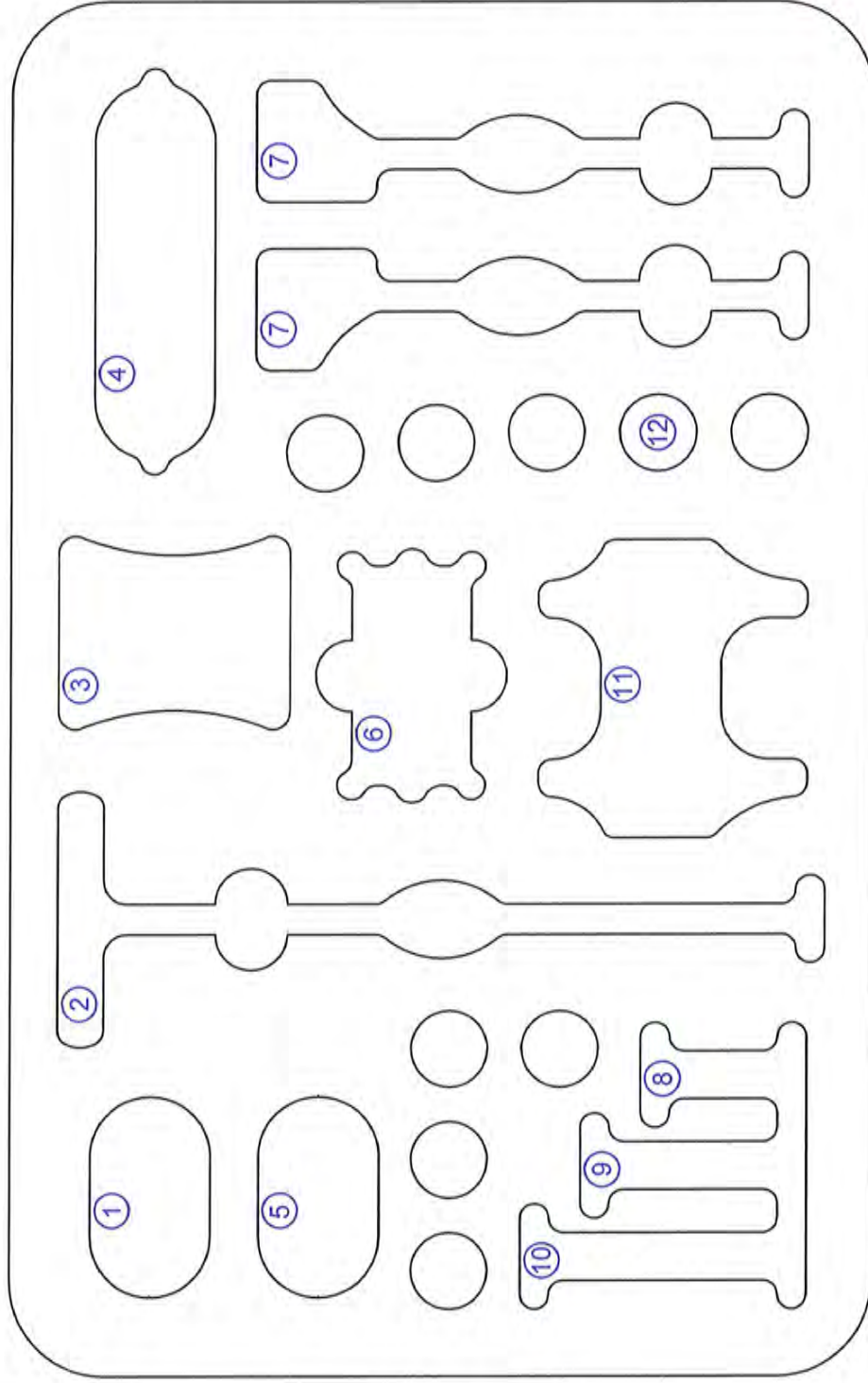
Not to Scale

RMS REHABILITATION MANUFACTURING SERVICES Ltd
CHAILEY ROLLERCOASTER HEADREST

**CROSS REFERENCE FOR
 ROLLER COASTER ASSESSMENT
 CASE (RCHS-ASSESS-CASE)
 STEMS & MOUNTS**

PARTS DETAILS

CODE	DESCRIPTION	PART No.
1	STD SINGLE STEM MOUNT	2G-04-06
2	ONE POINT HEADREST STEM CW SPACERS FIXINGS AND COLLAR.	RCHS 05.9
3	MULTI POINT FIXING	L4-P26-F4A
4	STD TWIN STEM MOUNT	RCHS 02A
5	CHAILEY SPEC SINGLE STEM MOUNT	RCHS 04A
6	CHAILEY SPEC TWIN STEM MOUNT	RCHS 03A
7	PAIR OF TWIN STEMS CW FIXINGS & COLLARS	RCHS 06
8	4x 50mm LINK + Fixings x4	RCHS 01-50 x4
9	4x 75mm LINK + Fixings x4	RCHS 01-75 x4
10	4x 100mm LINK + Fixings x4	RCHS 01-100 x4
11	CHAILEY SPEC CAPS 2 TWIN MOUNT	RCHS 07
12	M6 MALE KNOB	L9-P06-06



**ALL STEMS ARE 12.7mm (1/2") SQU
 ALL RECEIVERS SUIT 12.7mm STEMS.**

**PLEASE SEE DIAGRAM 7 FOR
 ALTERNATIVE STEMS.**

RMS ALSO SUPPLY A ROLLERCOASTER ASSESSMENT CASE.

DIAGRAM: 9

(EDITION 1)

DRAWN BY

WMJ

9/5/12

Not to Scale



MEDWAY HOUSE

277 Gillingham Road, Gillingham, Kent, ME7 4QX

Tel: 01634 578881 Fax: 01634 581456

E-mail address: sales@rms-kent.co.uk

www.ineedawheelchair.co.uk