

# OBI

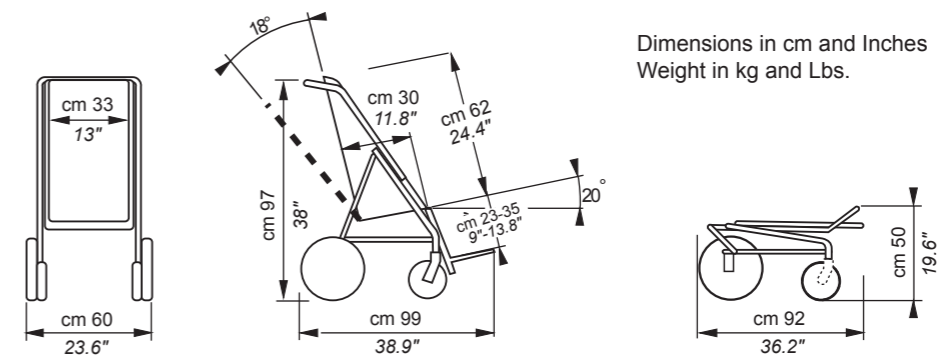
INGLESE Cod. 22071 21/09/10



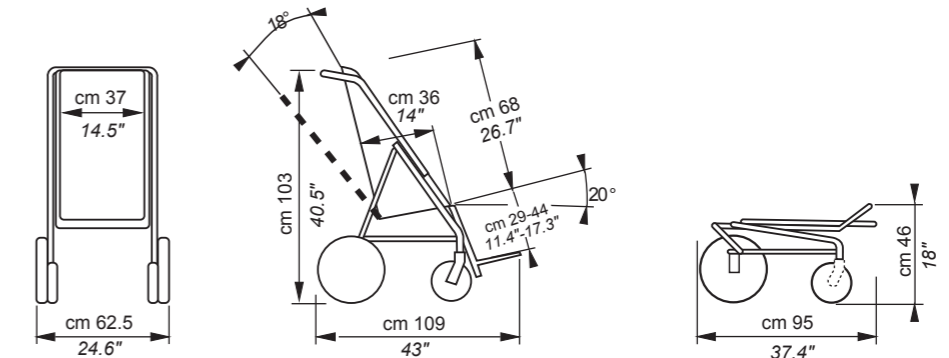
CRASH TESTED for the forward-facing transport of the pushchair in a motor vehicle (private vans/cars, buses..)

CRASH TESTED  
ACCORDING TO THE  
ISO 7176/19

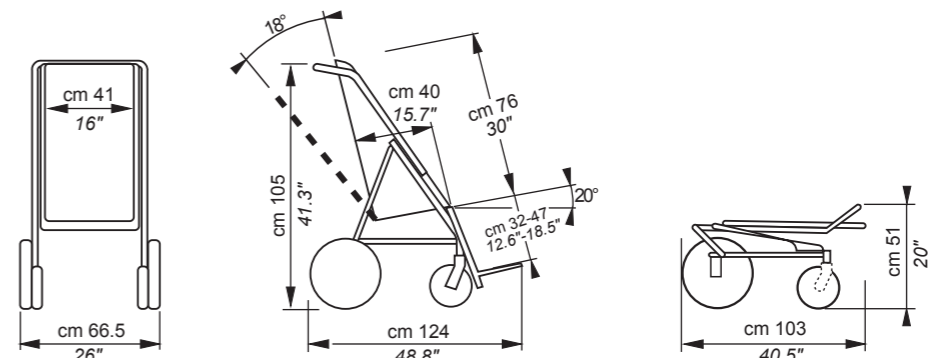
The copyright even if partial is forbidden without any authorization of the manufacturer. The manufacturer reserves the right to introduce any changes without prior notice.



**OBI 2** Weight of the aid kg 17,4 (Lbs. 38.3) Max load kg 50 (Lbs. 110)



**OBI 3** Weight of the aid kg 18,5 (Lbs. 40.7) Max load kg 60 (Lbs. 132)



**OBI 4** Weight of the aid kg 20,1 (Lbs. 44.2) Max load kg 70 (Lbs. 154)

THE NUMBERS DIVIDED BY THE DASH SPECIFY A MINIMUM AND A MAXIMUM ADJUSTMENT

PRODUCT MARKED

Product Certified by the  
Following Institute  
**CERAH** France

**RMS**



**CRASH TESTED**  
according to the ISO 7176/19

Authorized Dealer

Thompson House  
Unit 10, Styles Close  
Sittingbourne  
Kent ME10 3BF  
T: 01795 477280  
[www.ineedawheelchair.co.uk](http://www.ineedawheelchair.co.uk)

design and quality  
MADE IN ITALY since 1980

**ORMESA**®

**ORMESA**® s.r.l.

Via A. Da Sangallo,1 06034 FOLIGNO (PG) ITALY  
TEL. +39 0742 22927 - FAX +39 0742 22637  
info@ormesa.com - www.ormesa.com



# technical features

- Steel and aluminium **folding frame**, painted with non-toxic epoxy varnish
- **Trevira, padded, fire-retardant and removable upholstery**, machine washable at 30°
- **Chassis** made of natural-looking "cordura du pont" nylon, hard-wearing, washable



- 1 - slots for headrest**
- 2 - slots for harness (853)**
- 3 - side protections** on the frame
- 4 - 828 chest belt** (accessory)
- 5 - slots for abduction block**
- 6 - quick release adjustment** for the footrest
- 7 - adjustable tip-up footrest**
- 8/9 - wheels**, sliding on ball bearings:  
front 17,5-cm. (7") swivel, unpierceable  
rear pneumatic 30-cm. (12") unpierceable rubber on request
- 10 - independent brake**, light to use but hard wearing.  
No dangerous protuberances
- 11 - fold lock**



**Rigid backrest** with four quick release recline positions.  
**Rigid fixed seat.**  
Quick release **reclinable legrest**

# accessories



**834** Abduction block



**835** Headrest with two side elements, which can be used one at a time (either the left side or the right side)



**853** Adjustable harness



**812** Wheel direction locks



**817** Inguinal straps



**816** Side supports



**827** Foot straps



**839** Front handle



**894** 45° Belt for the pelvis



**858** Basket



**824** Table with edge and hollow



**837** Tray



**819** Canopy



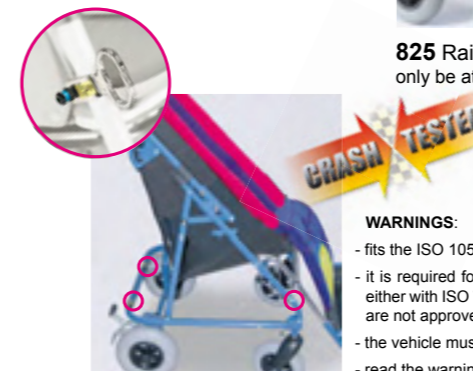
**825** Rain cover (the rain cover can only be attached after the canopy 819)



**818** Thermic cover



**832** Optional frame for narrow passages and lifts (the external width is reduced by 7 cm (3"). Light undetachable wheels with solid tyres; 20 cm (8") rear wheels, 17 cm (7") front wheels, on all bearings.



**891** Set of 4 tie down hooks for the forward-facing transport of the pushchair in a motor vehicle (private vans/cars, buses..)

### WARNINGS:

- fits the ISO 10542 compliant 4-POINT STRAP-TYPE TIEDOWN, provided by the vehicle
- it is required for the child to wear both pelvic- and shoulder-belt-type restraints, to be compliant either with ISO 7176-19 or ISO 10542. Postural belts and harnesses such as our 828, 853 and 894 are not approved for the use as an occupant restraint system, but they can be used in addition
- the vehicle must be suitable for transporting orthopedic pushchairs in compliance with current law
- read the warnings and instructions given in the user's & maintenance book



**833** Base with 12" wheels