

MINI STANDY



INGLESE - COD. 22081-13122010

®
E
E
E
E
E
E
E

Authorized Dealer

RMS

Thompson House, Unit 10, Styles Close,
Sittingbourne Kent ME10 3BF
T: 01795 477280 F: 01795 229692
E: sales@rms-kent.co.uk

CE

PRODUCT TESTED BY
TÜV BERLIN

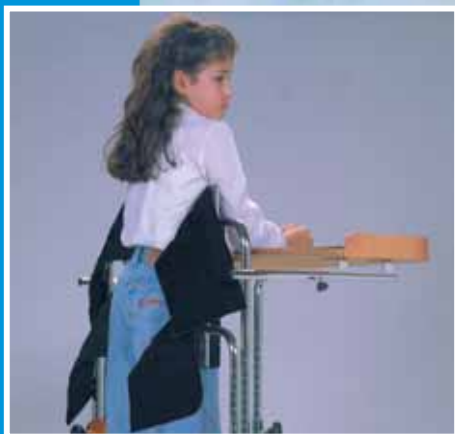
COMPANY WITH QUALITY MANAGEMENT
SYSTEM CERTIFIED BY DNV
= ISO 9001:2008 =

ORMESA® s.r.l.
Via A. Da Sangallo, 1 06034 FOLIGNO (PG) ITALY
TEL. +39 0742 22927 - FAX +39 0742 22637
info@ormesa.com - www.ormesa.com

The copyright even if partial is not allowed
without the authorization of the manufacturer
The manufacturer reserves the right to make
changes without any notice

 design and quality
MADE IN ITALY since 1980

ORMESA®



ADJUSTABLE SUPPORT with velcro strip



Adjustable **KNEE PADS** for **FOOT FLEXION-EXTENSION**



Adjustment of **ADDUCTION-ABDUCTION OF LEGS**



Removable **WORK TABLE**, IT IS **ADJUSTABLE** in height and depth



Adjustable **FRONT** and **BACK CHEST SUPPORT**



Adjustable **FRONT** and **BACK PELVIC SUPPORT**

FRAME with a **SMOOTH CONTOUR** to **ALLOW TRUNK ROTATION** and **SIDWAYS ARM MOVEMENT**.

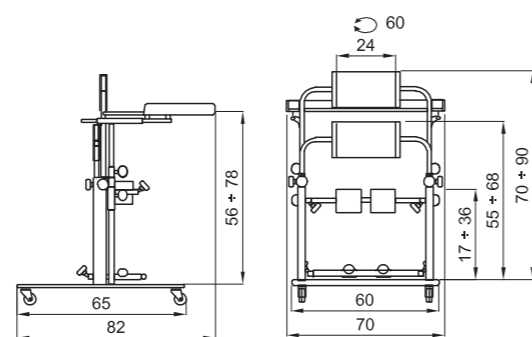


If the child has **SUFFICIENT TRUNK CONTROL**, only the **PELVIC SUPPORT BAND** is necessary

DIMENSIONS in cm.

MINI STANDY 2

Weight 19,9 kg
Max cap load 45 kg



MINI STANDY 3

Weight 23,9 kg
Max cap load 55 kg

