

April 2014

## **The RMS HEAD SUPPORT Range**

### **FITTING GUIDELINES (excluding the Contour Adjustable style)**

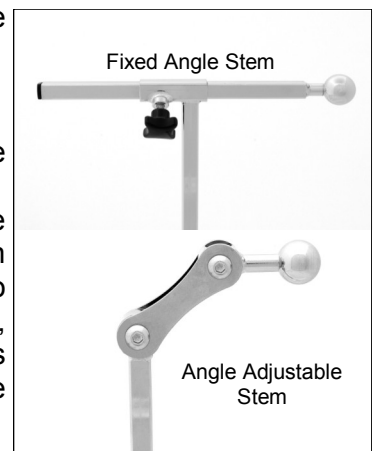
#### **IMPORTANT NOTES:**

- RMS Head Supports are suitable for attachment to a wide range of wheelchairs when used in conjunction with either, a fixed or removable Receiver Socket, capable of accepting a square vertical Headrest stem of 13.0mm. (For sizes and specification on the full range of RMS Headrests, Brackets and Mountings, please refer to the current edition of the RMS Product and Accessories Catalogue).
- Although there are a number of combinations of Headrest mounting methods available, these instructions are intended for general use and cover the two most commonly used methods.
- RMS Head Supports are supplied as standard, complete with either a ball mounted horizontal stem, fixed angle vertical stem with height adjustment collar, or with an angle adjustable horizontal and vertical stem, with height adjustment collar.

**NOTE:** Headrests Types **H** and **I** have their horizontal Stem fixed directly to the Headrest and are not ball mounted, see Fig.2 overleaf.

- For safety, correct support and user comfort, it is recommended that the initial installation of this device, is carried out by a suitably qualified person.
- Whilst the manufacturer is able to confirm that the installation of this device on its own, is unlikely to affect the wheelchair static stability, consideration should be given by the installer to the fact that, by adding a Head Support to a wheelchair, this could result in the user's seating position being altered, which in turn could affect the overall stability. If the installer has any doubts regarding this aspect, it is recommended that an appropriate stability test be carried out.

**RMS manufactures both a Quick Release Multi-Mounting Frame, complete with Receiver and Fixed type Receiver Sockets suitable for attachment to rigid curved Backrests, these items are available direct from RMS Sales.**



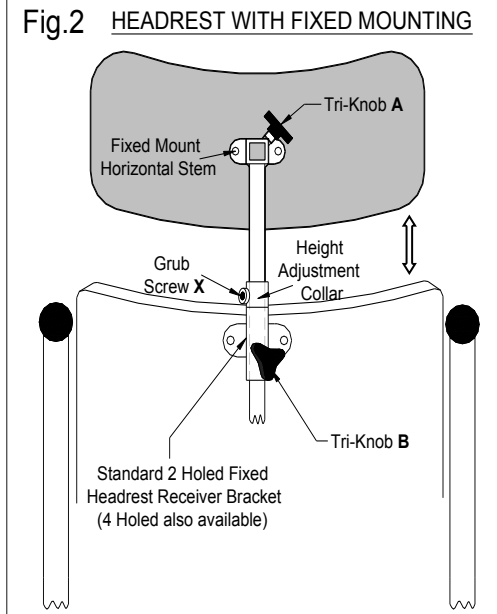
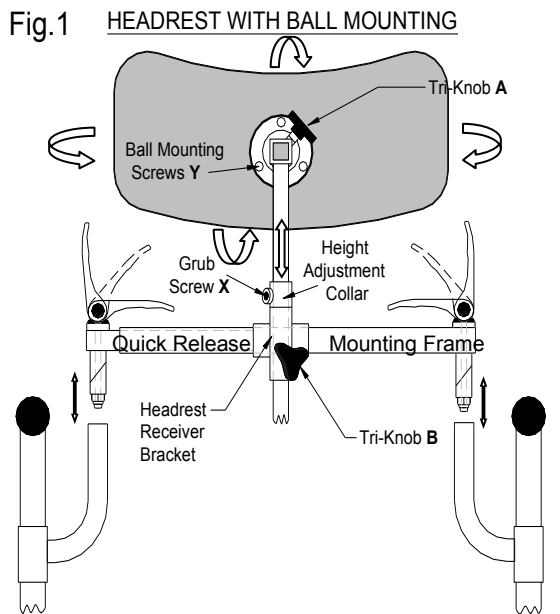
**POSSIBLE TOOLS REQUIRED:** 1 of each 3, 4 and 5mm Hexagon Keys. 1 x 13mm Spanner

#### **INSTALLATION** (Refer also to Figs.1 & 2 overleaf)

- With a 13mm Receiver Socket securely fitted to the wheelchair Backrest Panel, or with a Quick Release Mounting Frame assembly securely attached to the wheelchair Backrest Frame, the Headrest assembly, complete with Stems attached, can now be installed.
- Insert the Vertical Stem into the Receiver Socket (Figs.1 & 2), ensure Height Adjusting Locking Collar is free to slide on Vertical Stem at this stage. Set Headrest to the approximate height required and temporarily secure with Tri-Knob **B** (Figs.1 & 2).
- To adjust the Headrest forwards or rearwards, slacken Tri-Knob **A** (Figs.1 & 2), position Headrest as required and re-secure by tightening Tri-Knob **A**.
- For Angle Adjustable Stems, the Headrest can be correctly positioned by slackening Screws **Z** (Fig.3), adjusting as required and retightening the screws.
- Re-set height if required and secure by tightening Tri-Knob **B**.
- With the Height Adjusting Locking Collar contacting the Receiver Bracket, tighten Grub Screw **X** (Figs.1&2) sufficient to prevent any movement. (The Height Adjustment Collar enables the Headrest to be installed to the same height position after each removal and re-fitting).
- The angle or rotational position of **Ball Mounted Headrests** may also be adjusted around the ball joint, by slackening the three securing screws **Y** (Fig.1). Re-tighten screws to secure after positioning.

#### **GENERAL NOTE:**

The length of the horizontal Headrest Stem is manufactured to suit most requirements, however should the installer consider the rearward protrusion of this stem to be excessive, thus creating a potential hazard, we confirm that it is order to remove any excess. This should be carried out by a suitably qualified person who will remove any burrs after cutting and refit the blanking plug. **PTO**



## USER / CARER GUIDELINES

### **PRECAUTIONS:**

To avoid the risk of personal injury, it is recommended that wherever possible, the Head Support should be removed from the wheelchair prior to transferring.

As the Carer / Attendant's vision could be impaired with this device attached, care should be taken when manoeuvring in confined areas. Avoid damage to upholstery by heat, smoking or impact. Any damaged upholstery should be reported to your device supplier immediately, where arrangements can be made for replacement parts.

Should the user show continuous signs of discomfort using this Head Support, please consult a suitably qualified person as soon as possible.

Vinyl or Urethane Head Support pads should be cleaned on a regular basis using warm soapy water with a little disinfectant added, or car upholstery cleaner. Ensure pad is thoroughly dry before putting into service.

### **Removal**

Apply wheelchair Parking Brakes.

The Headrest is easily removed by slackening Tri-Knob **B** on the Receiver socket (See Figs.1&2) and lifting the complete assembly clear of the wheelchair.

### **Refitting**

With the Horizontal and Vertical Stems still attached to the Headrest, insert Vertical Stem into the Receiver Bracket until Height Adjusting Collar contacts the Receiver Bracket (See Fig.1). Tighten Tri-Knob **B** to secure.

### **PRODUCT MAINTENANCE**

*To ensure this device remains safe, serviceable and reliable throughout its period of use, RMS recommends it be inspected for wear, damage and security of components at monthly intervals. (For very heavy users the period between inspections should be reduced accordingly). Any worn or damaged components should be replaced as soon as possible with original equipment parts available direct from RMS Ltd.*

Should you require further information on this or any other products in the RMS range, please contact our Technical Help line on 01795-477280

**Fig.3**

