

FOOTREST HEIGHT ADJUSTING BLOCKS

INSTALLATION GUIDELINES

Covering Part No's: L6-P02-F4-A/B/C/D/E/F/G/H/I/J

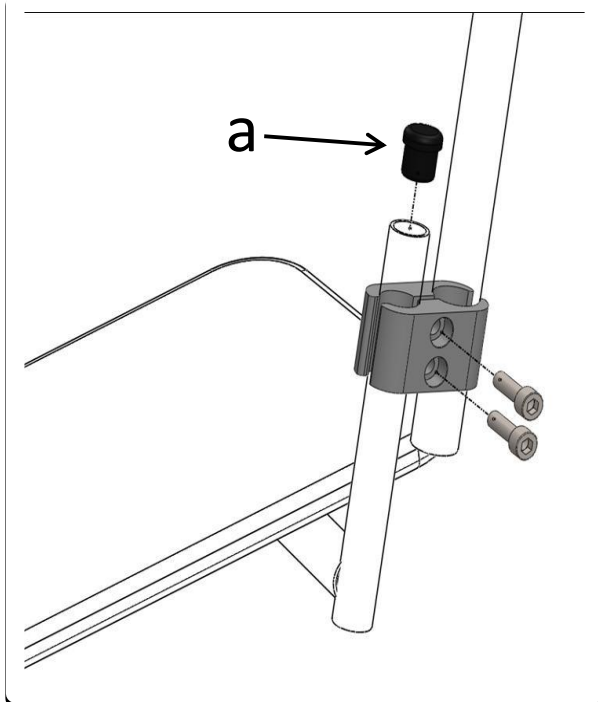
Kit Contents:-

2 x Height Adjusting Blocks c/w clamping screws.

2 x Blanking Plugs.

Important Notes

- To ensure correct support and user comfort, we recommend the installation and adjustment of these Height Adjusting Blocks be carried out by a suitably qualified person.
- Wherever possible the gap between footrests should not exceed 35mm on wheelchairs intended for adults and 25mm on wheelchairs intended for children.
- As a safety precaution when in service, it is recommended that the Height Adjusting Blocks and Footplates are checked for security on a regular basis.
- Installation methods may vary according to model of wheelchair and type of Footrest Stems being used.
- The Blocks are not intended for any other application than those recommended by RMS.



FITTING

(Tools Required: 5mm Hexagon Key, Torque wrench with 5mm hex bit, plus any appropriate tools to remove original footrest stems from hangers)

- Remove both swing-away Footrest Hangers from the wheelchair.
- Remove both Footplates and Stems from the wheelchair footrest hangers.
- Using a small hammer, tap a blanking plug (a) (supplied) into the exposed end of each Footrest Stem where necessary.
- Separate the height adjusting blocks supplied and loosely install on to the Footrest Hangers. (For ease of adjustment, position the hexagon headed screws towards the outside).
- Insert the Footrest Stems into the other remaining section of the blocks and using an M5 Hexagon key, tighten screws sufficient for the Stems to maintain their position only at this stage.
- With the user seated, refit the complete Footrest Hangers to the wheelchair, adjust to the correct height and set to the locked position.
- After adjusting the Footrests and stems to the required position vertically and horizontally, finally tighten both clamping screws to 20 – 25 nm to prevent any movement.