

# DROP-IN SEAT BOARDS

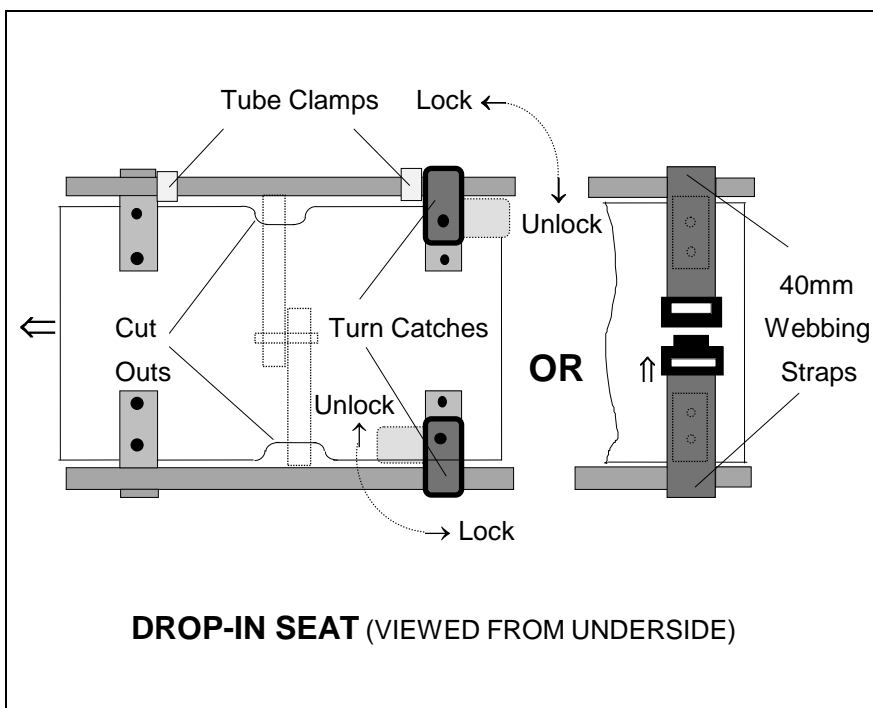
## FITTING INSTRUCTIONS

### IMPORTANT NOTES:

- Please read these instructions thoroughly before attempting to fit this product.
- For safety, correct support and user comfort, the initial installation of the Drop-In Seat should be carried out by a suitably qualified person.
- If the Drop-In Seat is being used in conjunction with a “special” backrest, it is essential that the Drop-In Seat be fitted first.
- As the fitting of this seat could raise the user’s position, this may affect the wheelchair stability. It is therefore recommend an appropriate stability test be carried out by a suitably qualified person. A wide range of anti-tipping and stability aids are available from RMS if required. (Please contact our Technical Helpline on 01634-578881).

### FITTING

- With wheelchair fully open, on a level non-slip surface and parking brakes applied, remove seat canvas.
- Detachable sidearms should be removed for easier access when fitting or removing the Drop-In Seat.
- If castor outriggers and / or anti-tip devices were prescribed at initial assessment, they should be fitted at this stage, following the fitting instructions supplied with those products.
- RMS Drop-In Seats are normally retained in position using one of two methods (see Diagram).  
1/ On seats fitted with 25mm drop brackets, turn lock catches may be used.  
2/ Other types will be have a Nylon Webbing Strap attached to the rear drop brackets and fitted with a quick release buckle.
- Lift Drop-In Seat into wheelchair, locating the seat support brackets over the original seat canvas rails.  
(The Seat base board is shaped with cut-outs to accommodate any frame cross braces).
- With the Drop-In Seat correctly positioned, tube clamps should also be used on the seat canvas rails to prevent any movement forwards or backwards. Clamps should be fitted with one clamp just behind the front bracket and the other just in front of the rear bracket. Position clamps with bolts at the top and nuts facing outwards, tighten nuts sufficient to stop clamps turning. Set Turn Catches to the lock position. (see Diagram).



Position clamps with bolts at the top and nuts facing outwards, tighten nuts sufficient to stop clamps turning. Set Turn Catches to the lock position. (see Diagram).

- The Webbing Straps, (where applicable), should be routed over the seat rails, adjusted to suit the width of the wheelchair and connected by the buckle under the seat. (see Diagram).

Should you require further information on this or any other product in the RMS range, please contact our Technical Helpline on 01795-477280