

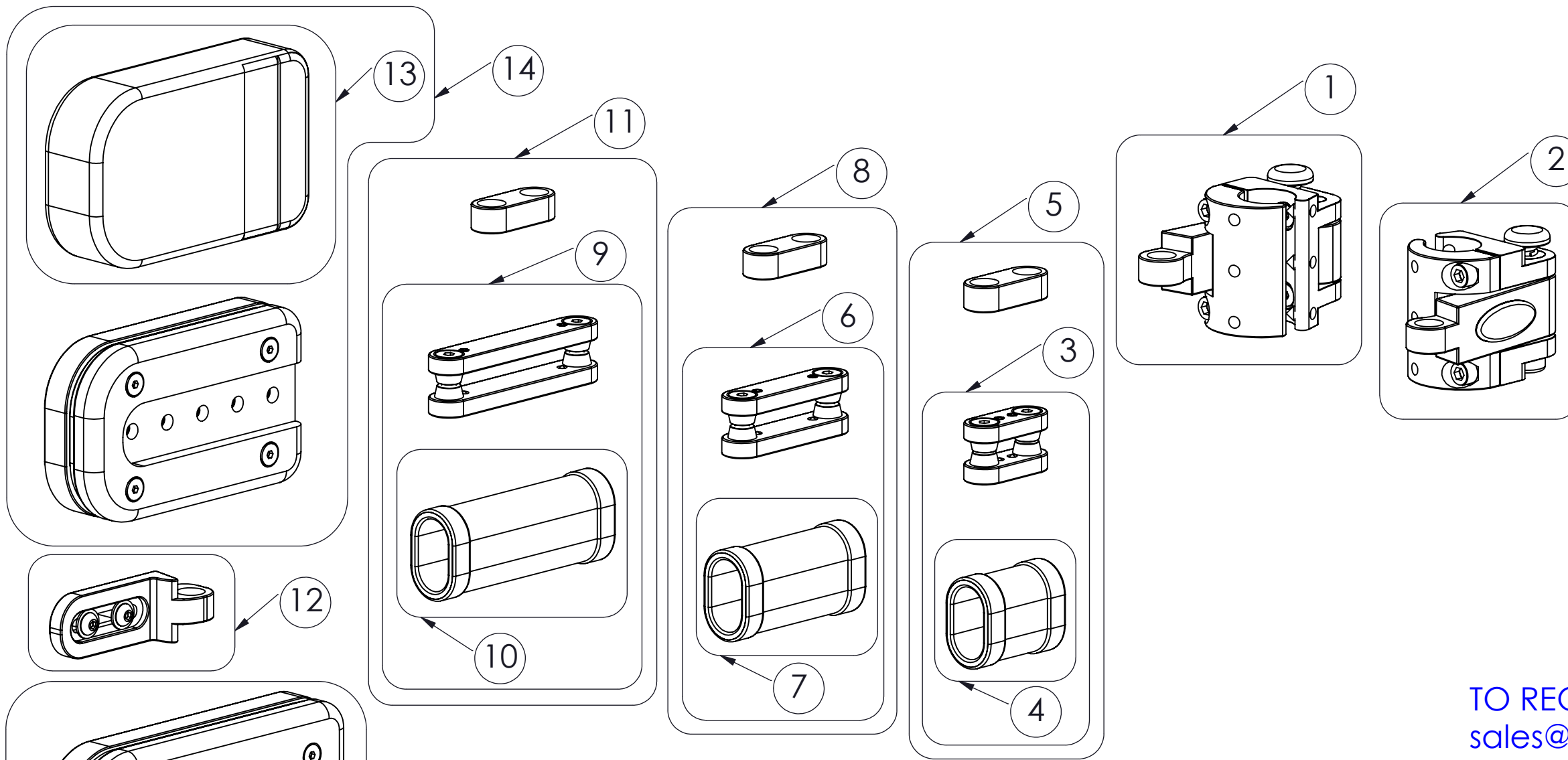
**CLAMP ON LATERAL SUPPORT
ASSESSMENT KIT CASE
ORDER FORM**

DIAGRAM: COLS-02 | VERSION 2
(INTERNAL AND EXTERNAL USE)

DRAWN BY WMJ 25/01/2018

CHECKED AM 25/01/2018

APPROVED WAC 25/01/2018



TO REORDER PARTS. PLEASE SEND TO
sales@rms-kent.co.uk

CODE	DESCRIPTION	PART No.	TICK TO REORDER
1	CLAMP ON LATERAL. RIGHT HAND CLAMP.	L4-P32-CLAMP-R	
2	CLAMP ON LATERAL. LEFT HAND CLAMP.	L4-P32-CLAMP-L	
3	CLAMP ON LATERAL. 25mm LINK C/W SLEEVE & FIXINGS.	L4-P32-LINK-25	
4	CLAMP ON LATERAL. 25mm LINK SLEEVE ONLY.	L4-P32-LINK-25CV	
5	CLAMP ON LATERAL. 25mm EXTENSION LINK KIT C/W SLEEVE AND FIXINGS	L4-P32-EXT-25	
6	CLAMP ON LATERAL. 50mm LINK C/W SLEEVE & FIXINGS.	L4-P32-LINK-50	
7	CLAMP ON LATERAL. 50mm LINK SLEEVE ONLY.	L4-P32-LINK-50CV	
8	CLAMP ON LATERAL. 50mm EXTENSION LINK KIT C/W SLEEVE AND FIXINGS	L4-P32-EXT-50	
9	CLAMP ON LATERAL. 75mm LINK C/W SLEEVE & FIXINGS.	L4-P32-LINK-75	
10	CLAMP ON LATERAL. 75mm LINK SLEEVE ONLY.	L4-P32-LINK-75CV	
11	CLAMP ON LATERAL. 75mm EXTENSION LINK KIT C/W SLEEVE AND FIXINGS	L4-P32-EXT-75	
12	CLAMP ON LATERAL. PAD MOUNT C/W FIXINGS.	L4-P32-PAD-MOUNT	
13	CLAMP ON LATERAL. SMALL PAD COVER ONLY.	L4-P32-PAD-S-CV	
14	CLAMP ON LATERAL. SMALL PAD C/W COVER.	L4-P32-PAD-S	
15	CLAMP ON LATERAL. LARGE PAD COVER ONLY.	L4-P32-PAD-L-CV	
16	CLAMP ON LATERAL. LARGE PAD C/W COVER.	L4-P32-PAD-L	

