

### Caddy modular seating system order form

Jan-18

#### Customer details

|                     |
|---------------------|
| Client Name/ref no: |
| Contact Name:       |
| Tel:                |
| Contact email:      |
| Address:            |
| _____               |
| _____               |
| _____               |

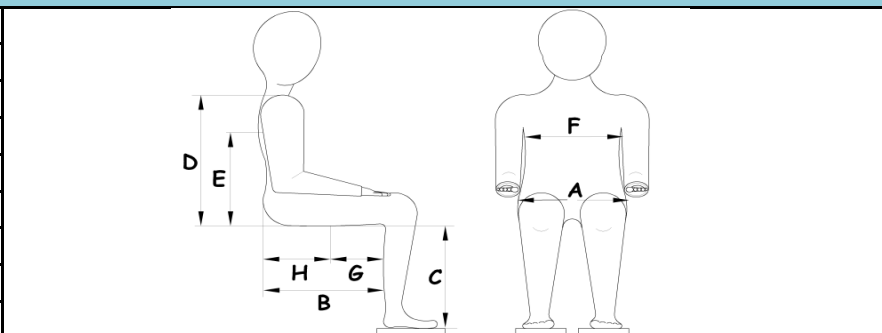


#### Standard specification:

|                                   |                           |                           |                       |
|-----------------------------------|---------------------------|---------------------------|-----------------------|
| Quick release slot interface      | Solid seat and backrest   | Anti-thrust seat cushion  | Fixed pelvic supports |
| Fixed thoracic supports           | Sacral support            | Angle adjustable backrest | Growth adjustment     |
| Machine washable removable covers | Upholstery colour options | Crash tested              | <b>Base price</b>     |

#### Client measurements

|                   |       |    |
|-------------------|-------|----|
| Client weight:    |       |    |
| A Pelvic width    |       | cm |
| B Seat depth      |       | cm |
| C Footrest height |       | cm |
| D Shoulder height |       | cm |
| E Thoracic height |       | cm |
| F Thoracic width  |       | cm |
| G Shelf length    |       | cm |
| H Pelvic depth    | (B-G) | cm |



#### Wheelchair information

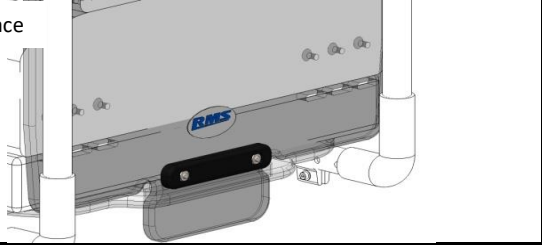
|               |        |             |    |             |    |
|---------------|--------|-------------|----|-------------|----|
| Manufacturer: | Model: | Seat width: | cm | Seat depth: | cm |
|---------------|--------|-------------|----|-------------|----|

#### Information for second wheelchair if applicable

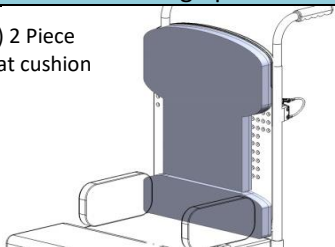
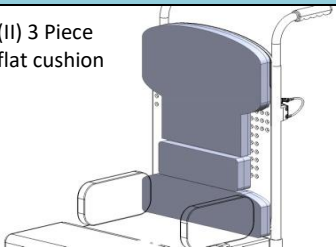
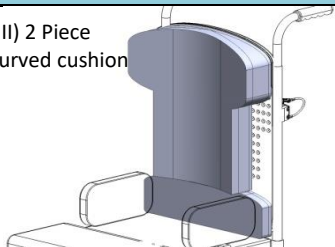
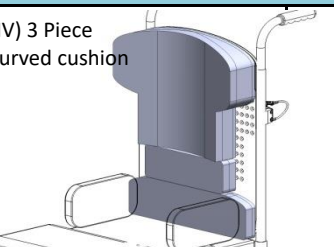
|               |        |             |    |             |    |
|---------------|--------|-------------|----|-------------|----|
| Manufacturer: | Model: | Seat width: | cm | Seat depth: | cm |
|---------------|--------|-------------|----|-------------|----|

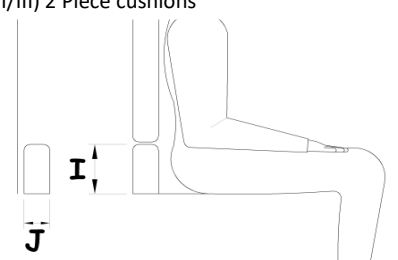
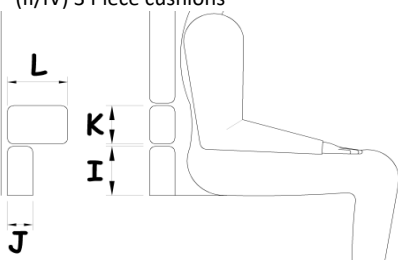
#### Seating measurements in cm (Internal use only)

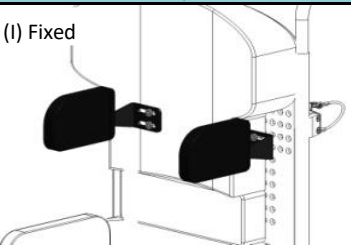
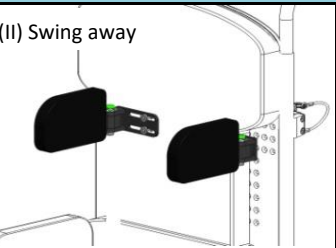
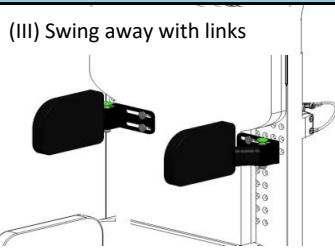
|                                       |                             |                             |                             |                             |                             |                             |                             |  |                             |                             |                             |                             |                             |  |
|---------------------------------------|-----------------------------|-----------------------------|-----------------------------|-----------------------------|-----------------------------|-----------------------------|-----------------------------|--|-----------------------------|-----------------------------|-----------------------------|-----------------------------|-----------------------------|--|
| Seat width                            | <input type="checkbox"/> 20 | <input type="checkbox"/> 23 | <input type="checkbox"/> 25 | <input type="checkbox"/> 28 | <input type="checkbox"/> 30 | <input type="checkbox"/> 33 | <input type="checkbox"/> 35 | <input type="checkbox"/> 38                                    | <input type="checkbox"/> 40 | <input type="checkbox"/> 43 | <input type="checkbox"/> 45 | <input type="checkbox"/> 48 | <input type="checkbox"/> 50 |  |
| (Outside width of W/C backrest rails) |                             |                             |                             |                             |                             |                             |                             |  |                             |                             |                             |                             |                             |  |
| Seat depth                            | <input type="checkbox"/> 20 | <input type="checkbox"/> 25 | <input type="checkbox"/> 30 | <input type="checkbox"/> 35 | <input type="checkbox"/> 40 | <input type="checkbox"/> 45 | <input type="checkbox"/> 50 | To the nearest seat depth panel (5cm Growth adjustment)        |                             |                             |                             |                             |                             |  |
| Back height                           | <input type="checkbox"/> 35 | <input type="checkbox"/> 40 | <input type="checkbox"/> 45 | <input type="checkbox"/> 50 | <input type="checkbox"/> 55 | <input type="checkbox"/> 60 | <input type="checkbox"/> 65 | To the nearest backrest height panel (7.5cm Growth adjustment) |                             |                             |                             |                             |                             |  |

| Interface option       |   |                                    |
|------------------------|---|------------------------------------|
| (I) Standard interface |   | (II) Positive locking interface    |
| CADDY-201              | (I) Standard slot interface - used on canvas based manual wheelchairs <b>only</b>                                       | <input type="checkbox"/> Inclusive |
| CADDY-202              | (II) Positive locking interface - used on manual and powered wheelchairs. (Increased adjustment)                        | <input type="checkbox"/>           |
| CADDY-203              | Positive locking interface kit for a second <b>Manual</b> wheelchair (complete second wheelchair information overleaf)  | <input type="checkbox"/>           |
| CADDY-204              | Positive locking interface kit for a second <b>Powered</b> wheelchair (complete second wheelchair information overleaf) | <input type="checkbox"/>           |

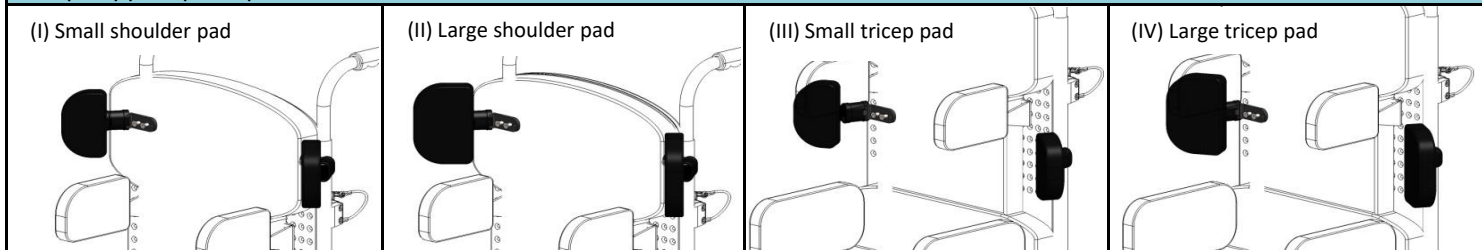
| Colour options                          |   |   |   |   |                                |                          |
|---|---|---|---|---|--------------------------------|--------------------------|
| <input type="checkbox"/> Blue and black | <input type="checkbox"/> Orange and black | <input type="checkbox"/> Pink and black | <input type="checkbox"/> Black            | <input type="checkbox"/> Inclusive      |                                |                          |
| CADDY-MSS-CV                            | Spare cover set at time of initial order  | <input type="checkbox"/> Blue and black | <input type="checkbox"/> Orange and black | <input type="checkbox"/> Pink and black | <input type="checkbox"/> Black | <input type="checkbox"/> |

| Backrest cushioning options  |   |                             |   |
|------------------------------|---|-----------------------------|---|
| (I) 2 Piece flat cushion     |             | (II) 3 Piece flat cushion   |    |
| (III) 2 Piece curved cushion |           | (IV) 3 Piece curved cushion |  |
| CADDY-401                    | (I) 2 Piece height adjustable flat cushion and cover (C/W Height adjustment infill pad)     |                             | <input type="checkbox"/> Inclusive  |
| CADDY-402                    | (II) 3 Piece height adjustable flat cushion and cover (C/W Height adjustment infill pad)    |                             | <input type="checkbox"/>  |
| CADDY-403                    | (III) 2 Piece height adjustable curved cushion and cover (C/W Height adjustment infill pad) |                             | <input type="checkbox"/>  |
| CADDY-404                    | (IV) 3 Piece height adjustable curved cushion and cover (C/W Height adjustment infill pad)  |                             | <input type="checkbox"/>  |

| Backrest cushion measurements                              |    | (I/III) 2 Piece cushions   | (II/IV) 3 Piece cushions  |
|--|----|--|---|
| Please fill out for lower backrest off sets                |    |  |  |
| <b>Note: Top backrest cushion is 4cm thick as standard</b> |    |  |   |
| I Sacral height  | cm |  |   |
| J Sacral depth   | cm |  |   |
| K Lumber height (3 Piece only)                             | cm |  |   |
| L Lumber depth (3 Piece only)                              | cm |  |   |

| Lateral thoracic options |  |                                       |   |                                      |  |                                      |
|--------------------------|--|---------------------------------------|---|--------------------------------------|--|--------------------------------------|
| (I) Fixed                |              | (II) Swing away                       |  | (III) Swing away with links          |  | (IV) Swing away wrap around          |
| Size (H x L)             | <input type="checkbox"/> 7.5cm x 12.5cm  | <input type="checkbox"/> 7.5cm x 15cm | <input type="checkbox"/> 7.5cm x 17.5cm   | <input type="checkbox"/> 10cm x 15cm | <input type="checkbox"/> 10cm x 17.5cm   | <input type="checkbox"/> 10cm x 20cm |
| CADDY-411                | (I) Lateral thoracic fixed bracket with flat pad and cover                                     |                                       |   |                                      |  | <input type="checkbox"/> Inclusive   |
| CADDY-412                | Lateral thoracic fixed bracket with curved pad and cover                                       |                                       |   |                                      |  | <input type="checkbox"/>             |
| CADDY-413                | (II) Lateral thoracic swing away bracket with flat pad and cover                               |                                       |   |                                      |  | <input type="checkbox"/>             |
| CADDY-414                | Lateral thoracic swing away bracket with curved pad and cover                                  |                                       |   |                                      |  | <input type="checkbox"/>             |
| CADDY-415                | (III) Lateral thoracic swing away bracket with 25mm adjustment link flat pad and cover         |                                       |   |                                      |  | <input type="checkbox"/>             |
| CADDY-416                | (IV) Lateral thoracic swing away bracket with flexible wrap around pad, cover and buckle clamp |                                       |   |                                      |  |                                      |
| Size (H x L)             | <input type="checkbox"/> 7.5cm x 15cm  | <input type="checkbox"/> 7.5cm x 20cm | <input type="checkbox"/> 10cm x 20cm  | <input type="checkbox"/> 10cm x 25cm | <input type="checkbox"/>   |                                      |

### Tricep support pad options

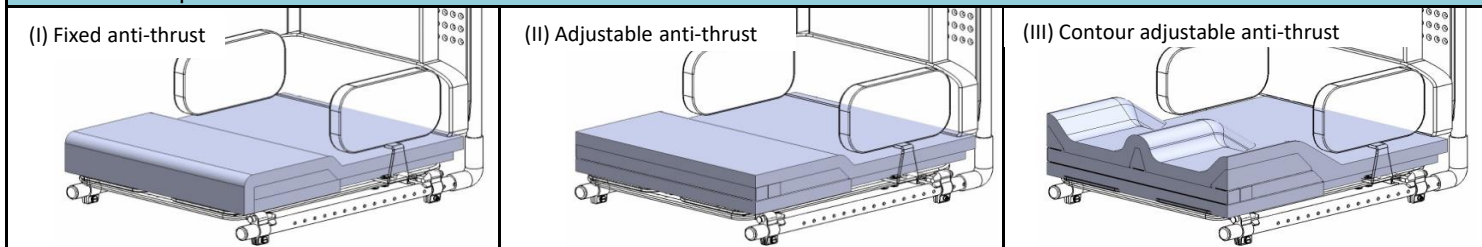


**Note: If selecting shoulder and tricep pads together.**

Please make sure that there is enough space for both shoulder and tricep pads to be fitted above the W/C armrests if in use

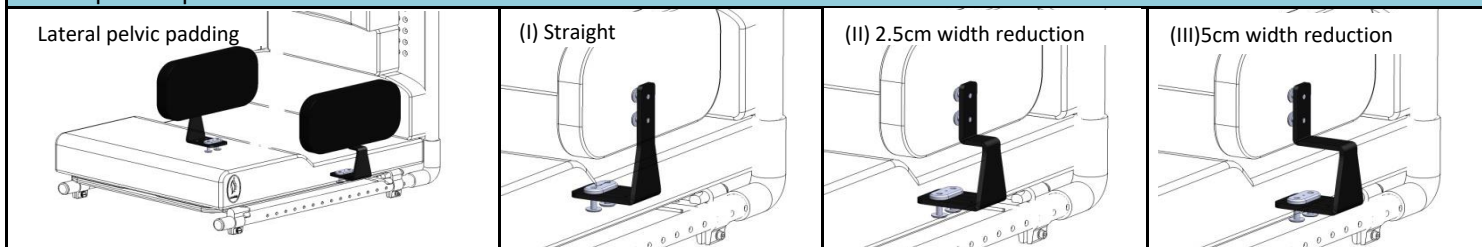
|             |  |                          |
|-------------|--|--------------------------|
| L4-P42-50-S | (I) Small shoulder support pad and cover c/w 50mm adjuster link - 7.5cm x 10cm | <input type="checkbox"/> |
| L4-P42-50-L | (II) Large shoulder support pad and cover c/w 50mm adjuster link - 10cm x 15cm | <input type="checkbox"/> |
| L4-P43-25-S | (III) Small tricep support pad and cover c/w 25mm adjuster link - 7.5cm x 10cm | <input type="checkbox"/> |
| L4-P43-25-L | (IV) Large tricep support pad and cover c/w 25mm adjuster link - 10cm x 15cm   | <input type="checkbox"/> |

### Seat Cushion options



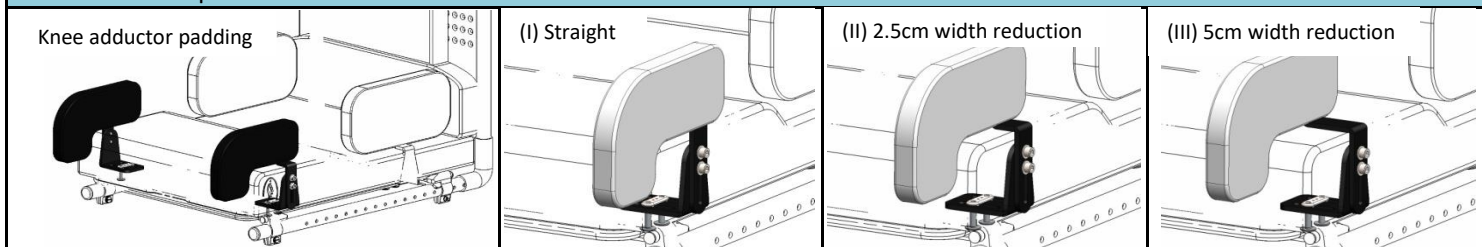
|           |  |                                    |
|-----------|--|------------------------------------|
| CADDY-301 | (I) Fixed anti-thrust cushion and cover                | <input type="checkbox"/> Inclusive |
| CADDY-302 | (II) Adjustable anti-thrust cushion and cover          | <input type="checkbox"/>           |
| CADDY-303 | (III) Contour adjustable anti-thrust cushion and cover | <input type="checkbox"/>           |

### Lateral pelvic options



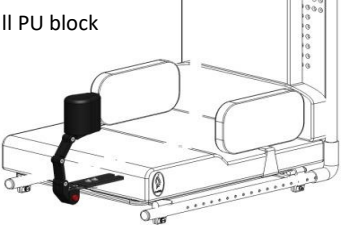
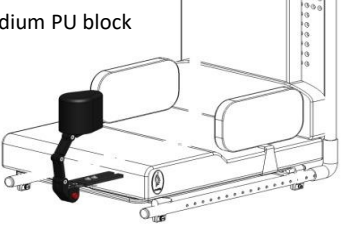
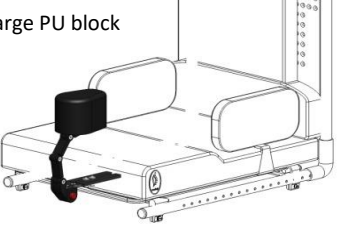
|           |  |                                |                               |                                 |                                    |
|-----------|--|--------------------------------|-------------------------------|---------------------------------|------------------------------------|
|           | Lateral pelvic pad height  | <input type="checkbox"/> 7.5cm | <input type="checkbox"/> 10cm | <input type="checkbox"/> 12.5cm | H = Depth                          |
| CADDY-311 | (I) Lateral pelvic pad and cover C/W straight bracket                                  |                                |                               |                                 | <input type="checkbox"/> Inclusive |
| CADDY-312 | (II) Lateral pelvic pad and cover C/W 2.5cm width reduction bracket (5cm of reduction) |                                |                               |                                 | <input type="checkbox"/> Inclusive |
| CADDY-313 | (III) Lateral pelvic pad and cover C/W 5cm width reduction bracket (10cm of reduction) |                                |                               |                                 | <input type="checkbox"/> Inclusive |

### Knee adductor options


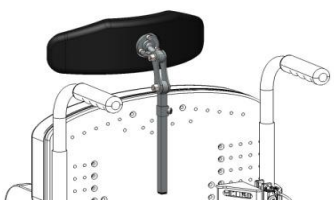
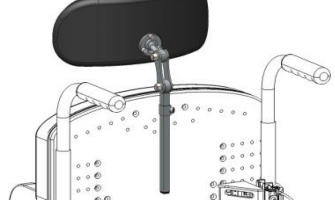


|           |  |   |   |
|-----------|--|---|---|
|           | Pad size (Pad depth x Shelf length x Femur height x Fibula depth)                | <input type="checkbox"/> Small Pad 20cm x 12.5cm x 7.5cm x 7.5cm (pair) | <input type="checkbox"/> Large Pad 22.5cm x 12.5cm x 10cm x 10cm (pair) |
| CADDY-321 | (I) Adductor pad and cover C/W straight bracket                                  |   |   |
| CADDY-322 | (II) Adductor pad and cover C/W 2.5cm width reduction bracket (5cm of reduction) |   |   |
| CADDY-323 | (III) Adductor pad and cover C/W 5cm width reduction bracket (10cm of reduction) |   |   |

### Leg abductor options

|  |  |  |               |  |  |
|--|--|--|---------------|--|--|
| (I) Small PU block   |  | (II) Medium PU block   |               | (III) Large PU block   |  |
|  |  |  |               |  |  |
| L3-P50-S   | (I) Flip down abductor bracket with Small PU block   | 9.3cm x 6.6cm x 9cm  | ( L x W x H ) | <input type="checkbox"/>   |  |
| L3-P50-M   | (II) Flip down abductor bracket with Medium PU block | 11.3cm x 8.2cm x 10cm  | ( L x W x H ) | <input type="checkbox"/>   |  |
| L3-P50-L   | (III) Flip down abductor bracket with Large PU block | 12.8cm x 9.1cm x 10cm  | ( L x W x H ) | <input type="checkbox"/>   |  |

### Headrest options

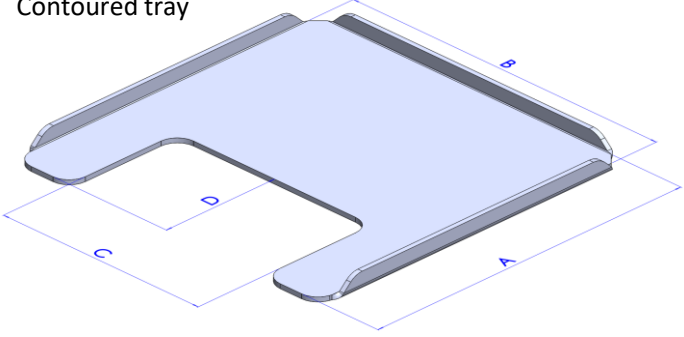
|   |  |   |  |   |  |
|---|--|---|--|---|--|
| (I) Headrest boss   |  | (II) Type A headrest  |  | (III) Type D headrest   |  |
|  |  |  |  |  |  |
| L4-P44  | (I) Headrest boss <b>only</b> . Fits 12.7mm & 15.88mm square stems (Must be ticked if a headrest option is selected) |   |  | <input type="checkbox"/>  |  |
| L8-P18-S-B  | (II) Type A Small headrest C/W angle adjustable stem   |   |  | <input type="checkbox"/>  |  |
| L8-P18-S-CV   | Type A Small headrest cover only   |   |  | <input type="checkbox"/>  |  |
| L8-P18-L-B  | (II) Type A Large headrest C/W angle adjustable stem   |   |  | <input type="checkbox"/>  |  |
| L8-P18-L-CV   | Type A Large headrest cover only   |   |  | <input type="checkbox"/>  |  |
| L8-P21-S-B  | (III) Type D Small headrest C/W angle adjustable stem  |   |  | <input type="checkbox"/>  |  |
| L8-P21-S-CV   | Type D Small headrest cover only   |   |  | <input type="checkbox"/>  |  |
| L8-P21-L-B  | (III) Type D Large headrest C/W angle adjustable stem  |   |  | <input type="checkbox"/>  |  |
| L8-P21-L-CV   | Type D Large headrest cover only   |   |  | <input type="checkbox"/>  |  |
| L8-P22-B  | Type E headrest C/W angle adjustable stem  |   |  | <input type="checkbox"/>  |  |
| L8-P24-S-B  | Type G Small headrest C/W angle adjustable stem  |   |  | <input type="checkbox"/>  |  |
| L8-P24-L-B  | Type G Large headrest C/W angle adjustable stem  |   |  | <input type="checkbox"/>  |  |
| L8-P17-B  | Type J headrest C/W angle adjustable stem  |   |  | <input type="checkbox"/>  |  |
| L8-P29-S-B  | Type K Small headrest C/W angle adjustable stem  |   |  | <input type="checkbox"/>  |  |
| L8-P29-L-B  | Type K Large headrest C/W angle adjustable stem  |   |  | <input type="checkbox"/>  |  |
|   | For other options, please specify the part number from the RMS catalogue   |   |  | <input type="checkbox"/>  |  |

### Harness options

|      |  |                          |
|------|--|--------------------------|
| H012 | Sternum harness small, contoured pad designed to offer greater support           | <input type="checkbox"/> |
| H004 | Sternum harness medium, contoured pad designed to offer greater support          | <input type="checkbox"/> |
| H005 | Sternum harness large, contoured pad designed to offer greater support           | <input type="checkbox"/> |
| H006 | Shoulder harness small, distributes pressure evenly over the chest and shoulder  | <input type="checkbox"/> |
| H007 | Shoulder harness medium, distributes pressure evenly over the chest and shoulder | <input type="checkbox"/> |
| H008 | Shoulder harness large, distributes pressure evenly over the chest and shoulder  | <input type="checkbox"/> |
| H009 | Dynamic harness small, designed to offer a high level of support and comfort     | <input type="checkbox"/> |
| H010 | Dynamic harness medium, designed to offer a high level of support and comfort    | <input type="checkbox"/> |
| H011 | Dynamic harness large, designed to offer a high level of support and comfort     | <input type="checkbox"/> |

| Pelvic belt options |  |                          |
|---------------------|--|--------------------------|
| BPB-005-S           | Padded four point dual pull plastic buckle, 25mm webbing, pad size 40mm x 150mm  | <input type="checkbox"/> |
| BPB-004-S           | Padded dual pull plastic buckle, 25mm webbing, pad size 40mm x 150mm             | <input type="checkbox"/> |
| BAT-007-S           | Padded single pull twin lock plastic buckle, 25mm webbing, pad size 40mm x 150mm | <input type="checkbox"/> |
| BAT-008-S           | Padded four point twin lock plastic buckle, 25mm webbing, pad size 40mm x 150mm  | <input type="checkbox"/> |
| BMB-001-L           | Padded single pull tight, 40mm webbing with metal buckle, pad size 70mm x 230mm  | <input type="checkbox"/> |
| BMB-002-L           | Padded four point single pull metal buckle, 40mm webbing, pad size 70mm x 230mm  | <input type="checkbox"/> |
| BPB-004-L           | Padded dual pull plastic buckle, 40mm webbing, pad size 70mm x 230mm             | <input type="checkbox"/> |
| BPB-005-L           | Padded four point dual pull plastic buckle, 40mm webbing, pad size 70mm x 230mm  | <input type="checkbox"/> |

| Clear Plastic Contoured Tray |        |        |        |          |                          |
|------------------------------|--------|--------|--------|----------|--------------------------|
| Small                        | A=51cm | B=51cm | C=33cm | D=15cm   | <input type="checkbox"/> |
| Medium                       | A=56cm | B=56cm | C=36cm | D=20cm   | <input type="checkbox"/> |
| Large                        | A=61cm | B=61cm | C=43cm | D=22.5cm | <input type="checkbox"/> |



Contoured tray

|          |   |                          |
|----------|---|--------------------------|
| L5-P51-# | Clear Plastic Contoured Tray c/w slide in tray brackets                             | <input type="checkbox"/> |
|          | For other tray options, please specify the part number from the RMS catalogue _____ | <input type="checkbox"/> |

| Anklesure options |  |                          |        |         |  |                          |
|-------------------|--|--------------------------|--------|---------|--|--------------------------|
| AS001             | Anklesures XS Velcro fastened ( Pair ) | <input type="checkbox"/> | £68.00 | AS001/B | Anklesures XS Buckle fastened ( Pair ) | <input type="checkbox"/> |
| AS002             | Anklesures S Velcro fastened ( Pair )  | <input type="checkbox"/> | £68.00 | AS002/B | Anklesures S Buckle fastened ( Pair )  | <input type="checkbox"/> |
| AS003             | Anklesures M Velcro fastened ( Pair )  | <input type="checkbox"/> | £68.00 | AS003/B | Anklesures M Buckle fastened ( Pair )  | <input type="checkbox"/> |
| AS004             | Anklesures L Velcro fastened ( Pair )  | <input type="checkbox"/> | £68.00 | AS004/B | Anklesures L Buckle fastened ( Pair )  | <input type="checkbox"/> |
| AS005             | Anklesures XL Velcro fastened ( Pair ) | <input type="checkbox"/> | £68.00 | AS005/B | Anklesures XL Buckle fastened ( Pair ) | <input type="checkbox"/> |

| Wheelchair accessories options                                |  |                          |
|---|--|--------------------------|
| Specify part number from the latest RMS Accessories Catalogue |  |                          |
|   |  | <input type="checkbox"/> |
|   |  | <input type="checkbox"/> |
|   |  | <input type="checkbox"/> |
|   |  | <input type="checkbox"/> |

| Additional Information |  |
|------------------------|--|
|                        |  |

|   |  |
|---|--|
| Estimate to be raised from prescription |  |
| Notes:                                  |  |

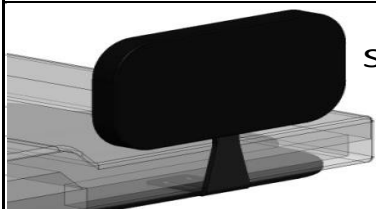
# CADDY LATERAL PELVIC WIDTH INDEX

## CADDY-300-INDEX

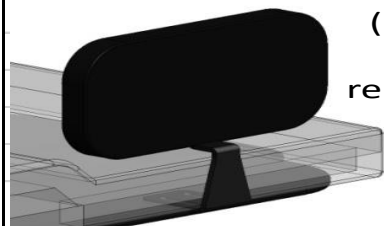
DRAWN BY WM 23/03/2017

CHECKED BY AM 27/03/2017

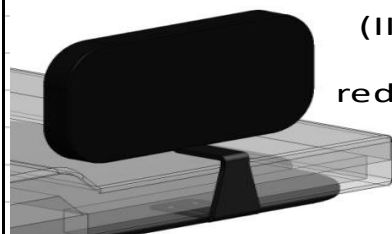
APPROVED BY WA 27/03/2017



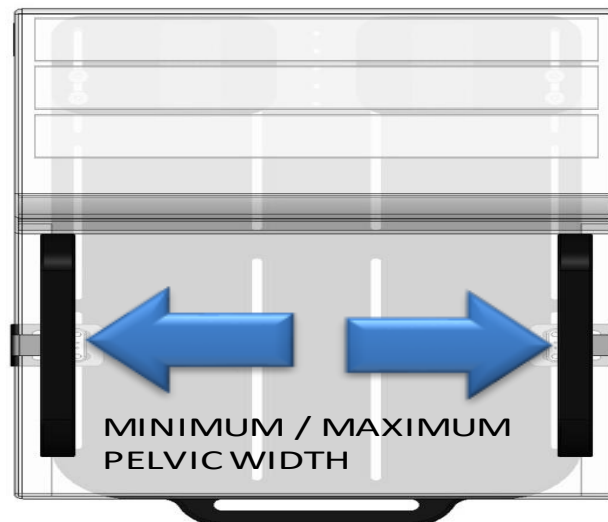
(I) CADDY-311  
Straight bracket



(II) CADDY-312  
2.5cm width  
reduction bracket



(III) CADDY-313  
5cm width  
reduction bracket



| WHEELCHAIR WIDTH | STRAIGHT BRACKET | 25mm OFF SET BRACKET | 50mm OFF SET BRACKET |
|------------------|------------------|----------------------|----------------------|
| 25cm / 10"       | 15cm TO 22.5cm   | 7.5cm TO 17.5cm      | 5cm TO 12.5cm        |
| 27.5cm / 11"     | 17.5cm TO 25cm   | 10cm TO 20cm         | 7.5cm TO 15cm        |
| 30cm / 12"       | 20cm TO 27.5cm   | 12.5cm TO 22.5cm     | 10cm TO 17.5cm       |
| 32.5cm / 13"     | 23.5cm TO 30cm   | 17.5cm TO 25cm       | 12.5cm TO 20cm       |
| 35cm / 14"       | 25cm TO 32.5cm   | 20cm TO 27.5cm       | 15cm TO 22.5cm       |
| 37.5cm / 15"     | 27.5cm TO 35cm   | 22.5cm TO 30cm       | 17.5cm TO 25cm       |
| 40cm / 16"       | 30cm TO 37.5cm   | 25cm TO 32.5cm       | 20cm TO 27.5cm       |
| 42.5cm / 17"     | 32.5cm TO 40cm   | 27.5cm TO 35cm       | 22.5cm TO 30cm       |
| 45cm / 18"       | 35cm TO 42.5cm   | 30cm TO 37.5cm       | 25cm TO 32.5cm       |
| 47.5cm / 19"     | 37.5cm TO 45cm   | 32.5cm TO 40cm       | 27.5cm TO 35cm       |
| 50cm / 20"       | 40cm TO 47.5cm   | 35cm TO 42.5cm       | 30cm TO 37.5cm       |