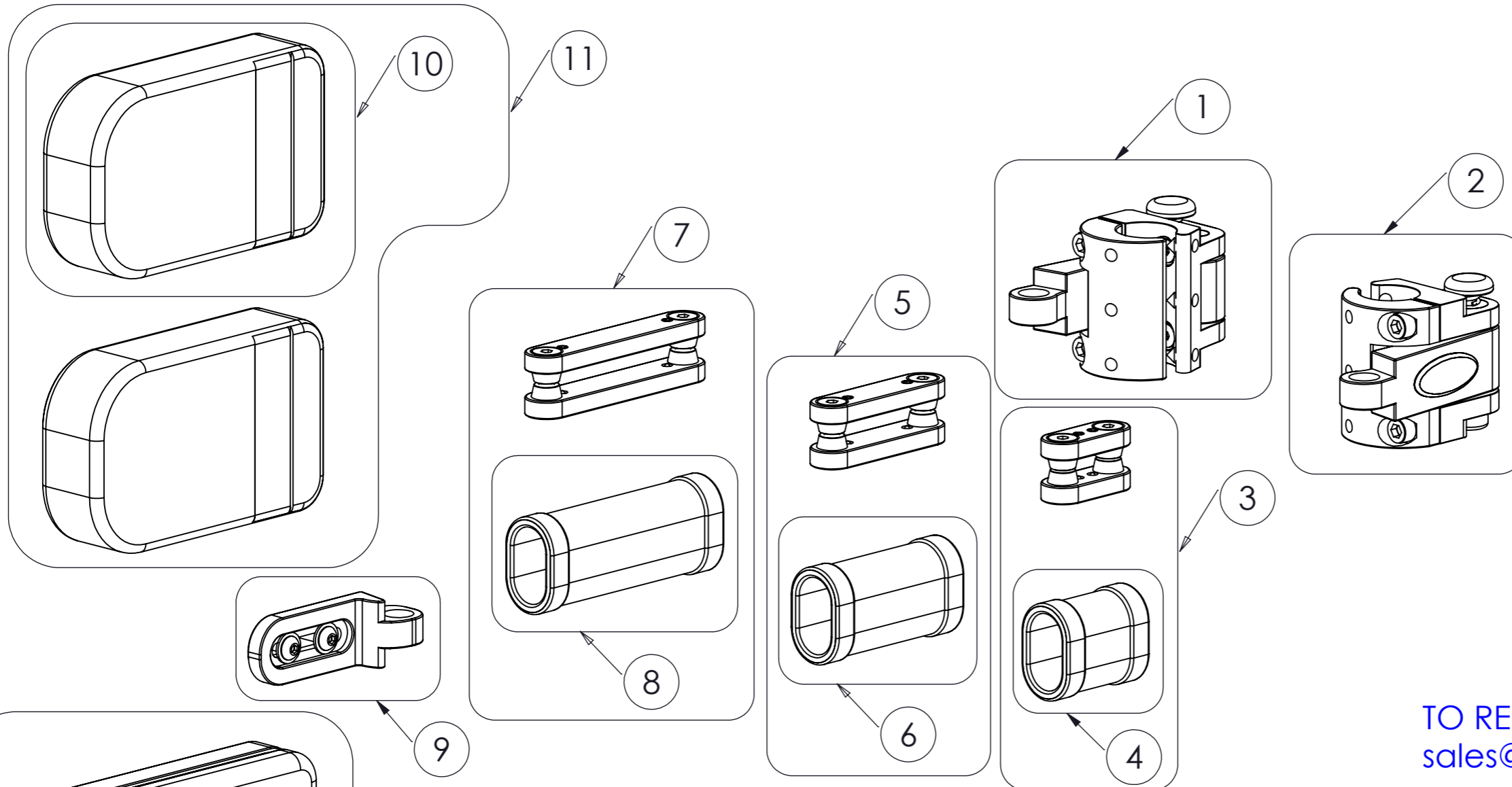


**CLAMP ON LATERAL SUPPORT  
ASSESSMENT KIT CASE  
ORDER FORM**

DIAGRAM: COLS-02 | VERSION 1  
(INTERNAL AND EXTERNAL USE)

DRAWN BY | WMJ | 07/08/2015



TO REORDER PARTS. PLEASE SEND TO  
[sales@rms-kent.co.uk](mailto:sales@rms-kent.co.uk)

CODE	DESCRIPTION	PART No.	TICK TO REORDER
1	CLAMP ON LATERAL. RIGHT HAND CLAMP.	L4-P32-CLAMP-R	
2	CLAMP ON LATERAL. LEFT HAND CLAMP.	L4-P32-CLAMP-L	
3	CLAMP ON LATERAL. 25mm LINK C/W SLEEVE & FIXINGS.	L4-P32-LINK-25	
4	CLAMP ON LATERAL. 25mm LINK SLEEVE ONLY.	L4-P32-LINK-25CV	
5	CLAMP ON LATERAL. 50mm LINK C/W SLEEVE & FIXINGS.	L4-P32-LINK-50	
6	CLAMP ON LATERAL. 50mm LINK SLEEVE ONLY.	L4-P32-LINK-50CV	
7	CLAMP ON LATERAL. 75mm LINK C/W SLEEVE & FIXINGS.	L4-P32-LINK-75	
8	CLAMP ON LATERAL. 75mm LINK SLEEVE ONLY.	L4-P32-LINK-75CV	
9	CLAMP ON LATERAL. PAD MOUNT C/W FIXINGS.	L4-P32-PAD-MOUNT	
10	CLAMP ON LATERAL. SMALL PAD COVER ONLY.	L4-P32-PAD-S-CV	
11	CLAMP ON LATERAL. SMALL PAD C/W COVER.	L4-P32-PAD-S	
12	CLAMP ON LATERAL. LARGE PAD COVER ONLY.	L4-P32-PAD-L-CV	
13	CLAMP ON LATERAL. LARGE PAD C/W COVER.	L4-P32-PAD-L	

