

Duecentotré 5

DOCCIA

203-5 SHOWER CHAIR



Duecentotré 5 DOCCIA

203-5 SHOWER CHAIR

WINDING HEADREST

separated from the backrest and adjustable in tilt, height and in the front and in the back position.

Triangular shaped **WINDING BACKREST**, for the best control of the trunk, it can be fixed in 2 positions to have the seat adjustable in depth (2 different ones). Adjustable tilt thanks to the back rack locking.



834 abduction block

Washable PVC-STRING COVERING

It allows a wide perspiration and it's highly wear-resistant. The sufficiently elastic covering assumes the shape of the shoulders and of the bottom.

detachable and turning sideways **SIDES**

One only overturnable FOOTREST, to help the approach of the operator, the sitting and the getting down of the user.

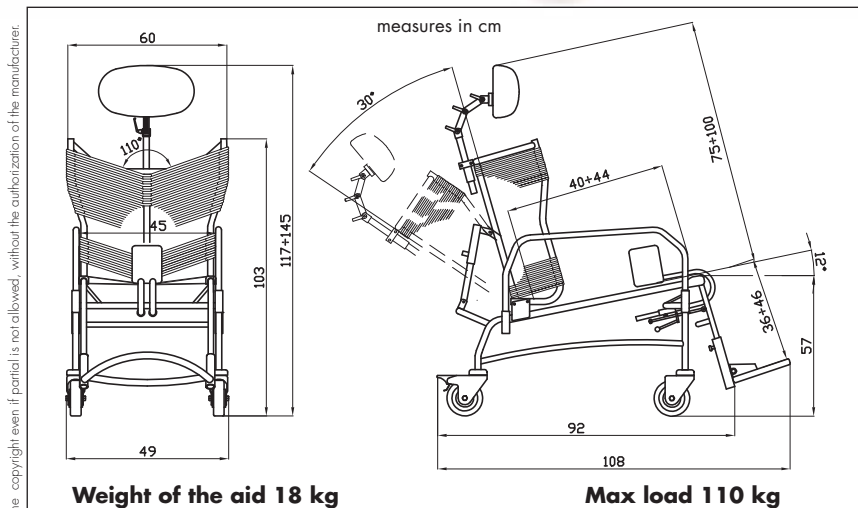
ALUMINIUM FRAME

Painted with non-toxic epoxy varnish

LEGREST, ADJUSTABLE in tilt.

Unpierceable **WHEELS** 12 cm, back wheels with brake.

SEAT with a 15° tilt, to prevent the user from falling forward.



THE NUMBERS DIVIDED BY THE DASH SPECIFY A MINIMUM AND A MAXIMUM ADJUSTMENT

Authorized dealer

Supplied by:

RMS

Thompson House, Unit 10, Styles Close,
Sittingbourne, Kent ME10 3BF

Tel: 01795 477280

Fax: 01795 229692

Email: sales@rms-kent

Web: inneedawheelchair.co.uk

ORMESA s.r.l.

Via A. Da Sangallo, 1 - 06034 FOLIGNO (PG) ITALY
TEL. +39 0742 22927-FAX +39 0742 22637
info@ormesa.com-www.ormesa.com



COMPANY WITH
MANAGEMENT SYSTEM
CERTIFIED BY
= ISO 9001 =
= OHSAS 18001 =