

SEATING SURFACES

Comfort Company seating surfaces are engineered and designed to provide superior pressure relief and positioning to accommodate a wide range of seating requirements. The utilization of several patented technologies allows users to experience an unmatched level of comfort and independence designed to enhance their everyday lives.





GLIDEWEAR® FEATURES

SHEAR REDUCTION ZONE™

- Specifically designed to reduce the risk of Decubitus Ulcer formation and also promotes the healing process of existing problem areas.
- Reduces the risks of Decubitus Ulcers forming underneath the weight bearing bony prominences by greatly reducing the effects of shear forces, a known contributor to the breakdown of tissue.
- In conjunction with a very low peak and average pressure readings on a cushion, the GlideWear® shear reduction panel acts as a great secondary approach to ulcer prevention.

MICRO-CLIMATE CONTROL

- GlideWear® is lightweight, breathable and reduces moisture buildup for micro-climate control. This allows GlideWear® to help maintain skin integrity as well as promote the healing of existing wounds.

IMPROVED COMFORT

- Reduction in shear forces allows for greater comfort to the user in both immediate and long-term use.

STABILITY

- A panel of GlideWear® is located under the bony prominences and allows for micro-movements without the deformation of tissue in the most at-risk areas. It works in combination with the higher friction areas of the seating surface surrounding it, keeping the user stable and safe. By limiting the use of GlideWear® to the Shear Reduction Zone, the user will not slide out of their seat and proper positioning will be maintained.

GLIDEWEAR®

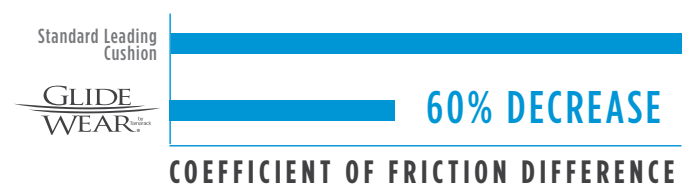
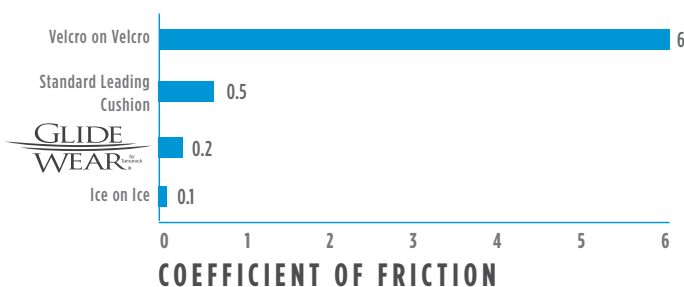
Shear Reduction Zone



PROVEN RESULTS

MEASURING SHEAR

- **COEFFICIENT OF FRICTION:** the ratio between the force necessary to move one surface horizontally over another and the pressure between the two surfaces.



Less shear forces when GlideWear® panel is used.
 Results published from Marquette University P.T. Department.

For additional research data & information visit
www.comfortcompany.com/glidewear

SEATING SURFACES DIMENSIONS

A - Seat Thickness

B - Inferior Thigh Support Thickness

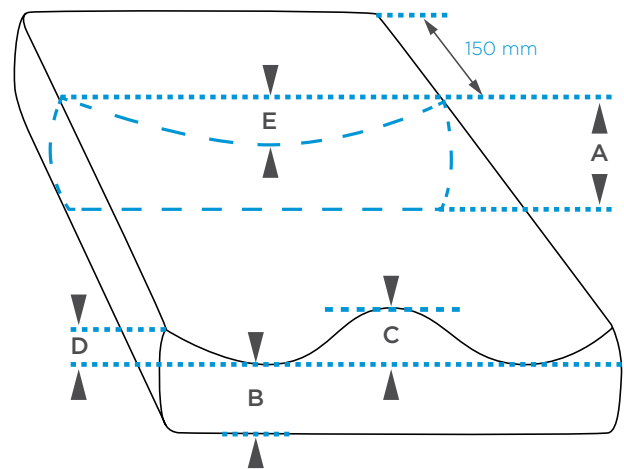
C - Medial Thigh Support Height

D - Lateral Thigh Support Height

E - Pelvic Contour Height

Seating surface dimensions follow ISO Standards

University of Colorado, Assistive Technology Partners Denver. (August 2013). *A Clinical Application Guide To Standardized Wheelchair Seating Measures Of The Body And Seating Support Surfaces*. Retrieved from: <https://www.assistivetechpartners.org>



ADJUSTABLE TECHNOLOGY INSERT (ATI)

ADJUSTABLE TECHNOLOGY INSERT (ATI)

The ATI is constructed of a strong aluminum that is designed to be molded to add additional support where needed. This system allows for on-site customization to effectively meet the needs of any user. The dynamic nature of input provides positioning support while allowing for movement. The insert can be remolded to meet the changes in the user's physical and functional needs.

*See instruction manual for proper utilization

U.S. Patent No. 9,186,290



FOAM



VISCOOL™ FOAM

Viscool™ foam has a unique open cell structure that was specifically designed for maximum air flow and breathability. This cell design allows for more air flow than its closed cell visco elastic foam counterparts. Open cells also allow for reduced heat and moisture retention.

Soft and pliable, Viscool™ foams provide superior contouring to the user's unique shape for optimal comfort.

WEIGHT CONVERSION

Pounds	Kilograms	Pounds	Kilograms
100 lbs	45.4 kg	350 lbs	158.8 kg
150 lbs	68.0 kg	400 lbs	181.4 kg
200 lbs	90.7 kg	450 lbs	204.1 kg
250 lbs	113.4 kg	550 lbs	249.5 kg
300 lbs	136.1 kg	750 lbs	340.2 kg
330 lbs	149.7 kg		

GEL



QUADRA3D® GEL

The pressure-relieving Quadra3D® Gel pack reduces heat build up. Four compartments evenly distribute gel under the seating surface.

EVOLITE GEL

Evolite is an ultra-lightweight composite gel that flows to respond to positional changes made by users. Evolite is 60% lighter than equal volumes of water-based or visco elastic gel.

SIZE CONVERSION

Inches	Centimeters	Inches	Centimeters
10"	25.4 cm	22"	55.9 cm
12"	30.5 cm	24"	61.0 cm
14"	35.6 cm	26"	66.0 cm
16"	40.6 cm	28"	71.1 cm
18"	45.7 cm	30"	76.2 cm
20"	50.8 cm		



ACTA-EMBRACE™ ATI

GLIDE
WEAR.

Available with GlideWear®
Technology. See pg. 25 for details.

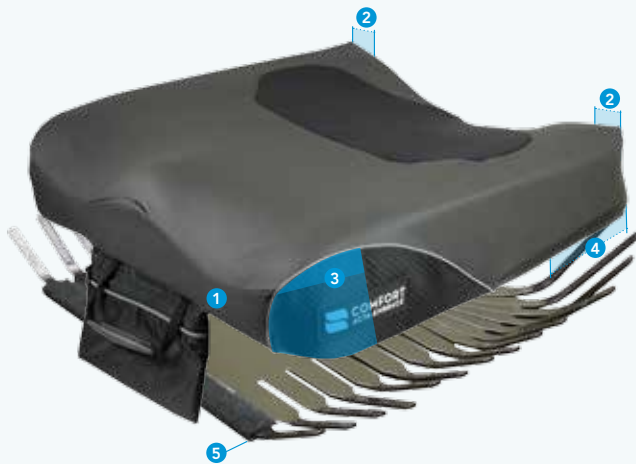


*Zero Elevation with GlideWear® Pictured



ADJUSTABLE TECHNOLOGY INSERT (ATI)

PRODUCT FEATURES



1. Deep lateral and medial leg contours promote postural alignment.
2. Tapered leg adductors increase in width near the back of the cushion to give support to the greater trochanters.
3. Two layers of foam, a contoured molded base foam with a layer of memory foam, provide comfort and skin protection.
4. Comes standard with non-skid bottom and hook and loop attachment.
5. Moldable ATI base allows for on-site customization to effectively meet the needs of the user. The dynamic nature of input provides positioning support while allowing for movement. The ATI base can be remolded to meet changes in both physical and functional needs.

CLINICIAN TIP

Aggressive contours provide pelvic and lower extremity positioning

WEIGHT CAPACITY

14" Wide & Under	200 lbs
16" Wide	250 lbs
18" Wide	300 lbs
20" Wide	350 lbs
22" Wide & Wider	400 lbs

AVAILABLE STYLES



DIMENSIONS 16" x 14" and smaller	Zero Elevation	Anti-Thrust
Seat Thickness	3"	2.75"
Inferior Thigh Support Thickness	2.5"	3"
Medial Thigh Support Height	.75"	.75"
Lateral Thigh Support Height	1"	1"
Pelvic Contour Height	1"	1"

DIMENSIONS 16" x 16" and larger	Zero Elevation	Anti-Thrust
Seat Thickness	4"	3.75"
Inferior Thigh Support Thickness	2.5"	3"
Medial Thigh Support Height	1.5"	1.5"
Lateral Thigh Support Height	1.5"	1.5"
Pelvic Contour Height	1.25"	1.25"

STANDARD SIZES

	10" W	12" W	14" W	16" W	18" W	20" W	22" W	24" W
10" D	10 x 10	12 x 10	14 x 10					
12" D	10 x 12	12 x 12	14 x 12	16 x 12				
14" D	10 x 14	12 x 14	14 x 14	16 x 14	18 x 14			
16" D	10 x 16	12 x 16	14 x 16	16 x 16	18 x 16	20 x 16	22 x 16	24 x 16
18" D		12 x 18	14 x 18	16 x 18	18 x 18	20 x 18	22 x 18	24 x 18
20" D			14 x 20	16 x 20	18 x 20	20 x 20	22 x 20	24 x 20
22" D				16 x 22	18 x 22	20 x 22	22 x 22	24 x 22
24" D					18 x 24	20 x 24	22 x 24	24 x 24

Additional Sizes Available

ACTA-EMBRACE™ ATI PART NUMBERS

Cushion Style	Stretch-Air™	Comfort-Tek™
Zero Elevation	EM-SZM-WWDD	EM-FZM-WWDD
Anti-Thrust	EM-SAM-WWDD	EM-FAM-WWDD
	Stretch-Air™ + GlideWear®	Comfort-Tek™ + GlideWear®
Zero Elevation	EM-SQZM-WWDD	EM-FQZM-WWDD
Anti-Thrust	EM-SQAM-WWDD	EM-FQAM-WWDD

WWDD to be replaced / WW = width & DD = depth in inches



M2 ATI

GLIDE
WEAR.

Available with GlideWear®
Technology. See pg. 25 for details.

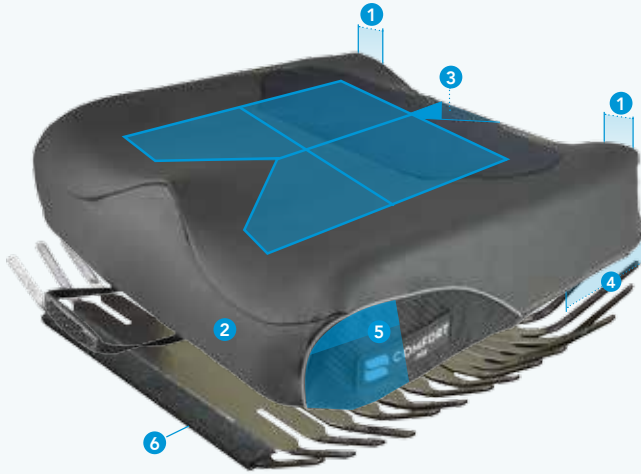


*Zero Elevation with GlideWear® Pictured



ADJUSTABLE TECHNOLOGY INSERT (ATI)

PRODUCT FEATURES



1. Tapered adductors increase in width near the rear of the cushion to give support to the greater trochanters.
2. Deep lateral and medial leg contours promote postural alignment.
3. Coccyx relief cutout reduces pressure on the tailbone and spine.
4. Non-skid bottom fabric offers hook and loop attachment.
5. Constructed with dual density foam, a molded foam base, and Quadra3D® Gel pack.
6. Moldable ATI base allows for on-site customization to effectively meet the needs of the user. The dynamic nature of input provides positioning support while allowing for movement. The ATI base can be remolded to meet changes in both physical and functional needs.

QUADRA3D® GEL



Four compartment Quadra3D® Gel is designed to prevent gel migration. Quadra3D® Gel regulates body temperature by retaining heat and redistributes pressure to provide maximum comfort.

DIMENSIONS

	Zero Elevation	Anti-Thrust	Wedge
16" x 14" and smaller			
Seat Thickness	3"	2.75"	3.25"
Inferior Thigh Support Thickness	2.5"	3"	3"
Medial Thigh Support Height	.75"	.75"	.75"
Lateral Thigh Support Height	1"	1"	1"
Pelvic Contour Height	1"	1"	1"

WEIGHT CAPACITY

14" Wide & Under	200 lbs
16" Wide	250 lbs
18" Wide	300 lbs
20" Wide	350 lbs
22" Wide & Wider	400 lbs

DIMENSIONS

	Zero Elevation	Anti-Thrust	Wedge
16" x 16" and larger			
Seat Thickness	4.25"	3.75"	4.25"
Inferior Thigh Support Thickness	3"	3.75"	4"
Medial Thigh Support Height	1.25"	1.25"	1.25"
Lateral Thigh Support Height	1.5"	1.5"	1.5"
Pelvic Contour Height	1.5"	1.25"	1.5"

AVAILABLE STYLES

ZERO ELEVATION

ANTI-THRUST

WEDGE



STANDARD SIZES

	10" W	12" W	14" W	16" W	18" W	20" W	22" W	24" W
10" D	10 x 10	12 x 10	14 x 10					
12" D	10 x 12	12 x 12	14 x 12	16 x 12				
14" D	10 x 14	12 x 14	14 x 14	16 x 14	18 x 14			
16" D	10 x 16	12 x 16	14 x 16	16 x 16	18 x 16	20 x 16	22 x 16	24 x 16
18" D		12 x 18	14 x 18	16 x 18	18 x 18	20 x 18	22 x 18	24 x 18
20" D			14 x 20	16 x 20	18 x 20	20 x 20	22 x 20	24 x 20
22" D				16 x 22	18 x 22	20 x 22	22 x 22	24 x 22
24" D					18 x 24	20 x 24	22 x 24	24 x 24

Additional Sizes Available

M2 ATI PART NUMBERS

Cushion Style	Stretch-Air™	Comfort-Tek™
Zero Elevation	M2-SM-WWDD	M2-FM-WWDD
Anti-Thrust	M2-SAM-WWDD	M2-FAM-WWDD
Wedge	M2-SWM-WWDD	M2-FWM-WWDD
	Stretch-Air™ + GlideWear®	Comfort-Tek™ + GlideWear®
Zero Elevation	M2-SQM-WWDD	M2-FQM-WWDD
Anti-Thrust	M2-SQAM-WWDD	M2-FQAM-WWDD
Wedge	M2-SQWM-WWDD	M2-FQWM-WWDD

WWDD to be replaced / WW = width & DD = depth in inches

CLINICIAN TIP

Achieves pelvic stability and lower extremity positioning through moderate contour

ACTA-EMBRACE™

GLIDE WEAR.

Available with GlideWear® Technology. See pg. 25 for details.



PRODUCT FEATURES



1. Deep lateral and medial leg contours promote postural alignment.
2. Tapered leg adductors increase in width near the back of the cushion to give support to the greater trochanters.
3. Two layers of foam, a contoured molded base foam with a layer of memory foam, provide comfort and skin protection.
4. Comes standard with non-skid bottom and hook and loop attachment.

WEIGHT CAPACITY

14" Wide & Under	200 lbs
16" Wide	250 lbs
18" Wide	300 lbs
20" Wide	350 lbs
22" Wide & Wider	400 lbs

AVAILABLE STYLES

ZERO ELEVATION



ANTI-THRUST



DIMENSIONS 16" x 14" and smaller	Zero Elevation	Anti-Thrust
Seat Thickness	3"	2.75"
Inferior Thigh Support Thickness	2.5"	3"
Medial Thigh Support Height	.75"	.75"
Lateral Thigh Support Height	1"	1"
Pelvic Contour Height	1"	1"

DIMENSIONS 16" x 16" and larger	Zero Elevation	Anti-Thrust
Seat Thickness	4"	3.75"
Inferior Thigh Support Thickness	2.5"	3"
Medial Thigh Support Height	1.5"	1.5"
Lateral Thigh Support Height	1.5"	1.5"
Pelvic Contour Height	1.25"	1.25"

STANDARD SIZES

	10" W	12" W	14" W	16" W	18" W	20" W	22" W	24" W
10" D	10 x 10	12 x 10	14 x 10					
12" D	10 x 12	12 x 12	14 x 12	16 x 12				
14" D	10 x 14	12 x 14	14 x 14	16 x 14	18 x 14			
16" D	10 x 16	12 x 16	14 x 16	16 x 16	18 x 16	20 x 16	22 x 16	24 x 16
18" D		12 x 18	14 x 18	16 x 18	18 x 18	20 x 18	22 x 18	24 x 18
20" D			14 x 20	16 x 20	18 x 20	20 x 20	22 x 20	24 x 20
22" D				16 x 22	18 x 22	20 x 22	22 x 22	24 x 22
24" D					18 x 24	20 x 24	22 x 24	24 x 24

Additional Sizes Available

ACTA-EMBRACE™ PART NUMBERS

Cushion Style	Stretch-Air™	Comfort-Tek™
Zero Elevation	EM-SZ-WWDD	EM-FZ-WWDD
Anti-Thrust	EM-SA-WWDD	EM-FA-WWDD
	Stretch-Air™ + GlideWear® / Comfort-Tek™ + GlideWear®	
Zero Elevation	EM-SQZ-WWDD	EM-FQZ-WWDD
Anti-Thrust	EM-SQA-WWDD	EM-FQA-WWDD

WWDD to be replaced / WW = width & DD = depth in inches

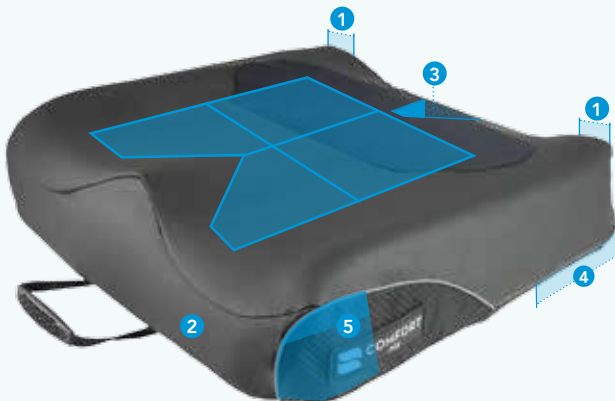
M2

GLIDE WEAR®

Available with GlideWear® Technology. See pg. 25 for details.



PRODUCT FEATURES



1. Tapered leg adductors increase in width near the back of the cushion to give support to the greater trochanter.
2. Deep lateral and medial leg contours promote postural alignment.
3. Coccyx relief cutout eliminates pressure on the tailbone and spine.
4. Non-skid bottom fabric offers hook and loop attachment.
5. Constructed with dual density foam, a molded foam base, and Quadra3D® Gel pack.

WEIGHT CAPACITY

14" Wide & Under	200 lbs
16" Wide	250 lbs
18" Wide	300 lbs
20" Wide	350 lbs
22" Wide & Wider	400 lbs

QUADRA3D® GEL

See Pg. 27 for details.



AVAILABLE STYLES

ZERO ELEVATION

ANTI-THRUST

WEDGE



DIMENSIONS 16" x 14" and smaller

	Zero Elevation	Anti-Thrust	Wedge
Seat Thickness	5"	2.75"	3.25"
Inferior Thigh Support Thickness	2.5"	3"	3"
Medial Thigh Support Height	.75"	.75"	.75"
Lateral Thigh Support Height	1"	1"	1"
Pelvic Contour Height	1"	1"	1"

DIMENSIONS 16" x 16" and larger

	Zero Elevation	Anti-Thrust	Wedge
Seat Thickness	4.25"	3.75"	4.25"
Inferior Thigh Support Thickness	3"	3.75"	4"
Medial Thigh Support Height	1.25"	1.25"	1.25"
Lateral Thigh Support Height	1.5"	1.5"	1.5"
Pelvic Contour Height	1.5"	1.25"	1.5"

STANDARD SIZES

	10" W	12" W	14" W	16" W	18" W	20" W	22" W	24" W
10" D	10 x 10	12 x 10	14 x 10					
12" D	10 x 12	12 x 12	14 x 12	16 x 12				
14" D	10 x 14	12 x 14	14 x 14	16 x 14	18 x 14			
16" D	10 x 16	12 x 16	14 x 16	16 x 16	18 x 16	20 x 16	22 x 16	24 x 16
18" D		12 x 18	14 x 18	16 x 18	18 x 18	20 x 18	22 x 18	24 x 18
20" D			14 x 20	16 x 20	18 x 20	20 x 20	22 x 20	24 x 20
22" D				16 x 22	18 x 22	20 x 22	22 x 22	24 x 22
24" D					18 x 24	20 x 24	22 x 24	24 x 24

Additional Sizes Available

M2 PART NUMBERS

Cushion Style	Stretch-Air™	Comfort-Tek™
Zero Elevation	M2-S-WWDD	M2-F-WWDD
Anti-Thrust	M2-SA-WWDD	M2-FA-WWDD
Wedge	M2-SW-WWDD	M2-FW-WWDD
	Stretch-Air™ + GlideWear®	Comfort-Tek™ + GlideWear®
Zero Elevation	M2-SQ-WWDD	M2-FQ-WWDD
Anti-Thrust	M2-SQA-WWDD	M2-FQA-WWDD
Wedge	M2-SQW-WWDD	M2-FQW-WWDD

WWDD to be replaced / WW = width & DD = depth in inches

MAXX®

PRODUCT FEATURES



*Shown with GlideWear®

1. Soft foam surface waterfalls over the front to relieve potential pressure points.
2. Deep lateral and medial leg contours promote postural alignment.
3. Anti-thrust helps maintain pelvic positioning.
4. Evolite Gel Pack is an ultra-lightweight composite gel that flows to respond to positional changes made by users.
5. Four layered high resiliency foams, an integrated rigid insert and a crosslink bottom layer create a soft and durable seating surface.
6. Storage pocket included for personal use.
7. Non-skid bottom fabric offers hook and loop attachments.

GLIDE WEAR®

Available with GlideWear® Technology. See pg. 25 for details.

EVOLITE GEL

Evolite is 60% lighter than water-based or viscoelastic gels. This ultra lightweight composite gel flows to respond to positional changes made by users.

DIMENSIONS

Seat Thickness	4.25"
Inferior Thigh Support Thickness	3"
Medial Thigh Support Thickness	1.5"
Lateral Thigh Support Height	1.75"
Pelvic Contour Height	2"

WEIGHT CAPACITY

16" Wide	250 lbs
18" Wide	300 lbs
20" Wide	350 lbs
22" Wide & Wider	400 lbs

STANDARD SIZES

	16" W	18" W	20" W	22" W	24" W
16" D	16 x 16	18 x 16	20 x 16	22 x 16	24 x 16
18" D	16 x 18	18 x 18	20 x 18	22 x 18	24 x 18
20" D	16 x 20	18 x 20	20 x 20	22 x 20	24 x 20

Additional Sizes Available

MAXX PART NUMBERS

Cover Style	Stretch-Air™	Comfort-Tek™
Standard	MAXFSWWDD	MAXFFWWDD
+ GlideWear®	MAXFSQWDD	MAXFFQWDD

WWDD to be replaced / WW = width & DD = depth in inches

RIDGE

PRODUCT FEATURES



1. Straight adductors give support to the greater trochanters.
2. Lateral and medial leg contours promote postural alignment.
3. Coccyx relief cutout reduces pressure on tailbone and spine.
4. Non-skid bottom fabric offers hook and loop attachment.
5. Visco foam top layer increases comfort and surface area.

VISCO FOAM TOP LAYER

Visco foam top layer contours to the users unique shape promoting skin protection and pressure redistribution.

DIMENSIONS

Seat Thickness	3"
Inferior Thigh Support Thickness	2.25"
Medial Thigh Support Thickness	2"
Lateral Thigh Support Height	1.75"
Pelvic Contour Height	.5"

WEIGHT CAPACITY

16" Wide	250 lbs
18" Wide	300 lbs
20" Wide	350 lbs
22" Wide & Wider	400 lbs

STANDARD SIZES

	16" W	18" W	20" W	22" W	24" W
16" D	16 x 16	18 x 16	20 x 16	22 x 16	24 x 16
18" D	16 x 18	18 x 18	20 x 18	22 x 18	24 x 18
20" D	16 x 20	18 x 20	20 x 20	22 x 20	24 x 20

Additional Sizes Available

RIDGE PART NUMBERS

Cover Style	Stretch-Air™	Comfort-Tek™
Standard	RD-S-WWDD	RD-F-WWDD

WWDD to be replaced / WW = width & DD = depth in inches

HYALITE®

PRODUCT FEATURES



1. Low profile lateral thigh supports offer mild positioning.
2. A soft, high resiliency foam surface layer conforms to user shape.
3. Anti-Thrust helps maintain pelvic positioning.
4. Evolite Gel Pack is an ultra-lightweight composite gel that flows to respond to positional changes made by users.
5. Layered high resiliency foam and memory foam provide comfort and skin protection.
6. Non-skid bottom fabric offers hook and loop attachments.

EVOLITE GEL

Evolite is 60% lighter than water-based or viscoelastic gels. This ultra lightweight composite gel flows to respond to positional changes made by users.

DIMENSIONS

Seat Thickness	4"
Inferior Thigh Support Thickness	4.25"
Medial Thigh Support Thickness	n/a
Lateral Thigh Support Height	.5"
Pelvic Contour Height	.5"

WEIGHT CAPACITY

16" Wide	250 lbs
18" Wide	300 lbs
20" Wide	350 lbs
22" Wide & Wider	400 lbs

STANDARD SIZES

	16" W	18" W	20" W	22" W	24" W
16" D	16 x 16	18 x 16	20 x 16	22 x 16	24 x 16
18" D	16 x 18	18 x 18	20 x 18	22 x 18	24 x 18
20" D	16 x 20	18 x 20	20 x 20	22 x 20	24 x 20

Additional Sizes Available

HYALITE PART NUMBERS

Cover Style	Stretch-Air™	Comfort-Tek™
Standard	HY-GU-WWDD	HY-GF-WWDD

WWDD to be replaced / WW = width & DD = depth in inches

ASCENT

PRODUCT FEATURES



1. Tapered leg adductors increase in width near the back of the cushion to give support to the greater trochanters.
2. Viscool™ foam insert provides extra protection for ischial areas.
3. Pelvic, lateral, and medial thigh supports promote postural alignment.
4. Layered high resiliency foams, with an EVA foam bottom layer, create a soft and durable seating surface.
5. Non-skid bottom fabric offers hook and loop attachments.

VISCOOL™ FOAM INSERT

Viscool™ foam's unique cell structure allows for protective immersion of the ischial tuberosities.



DIMENSIONS

Seat Thickness	4"
Inferior Thigh Support Thickness	3"
Medial Thigh Support Thickness	1"
Lateral Thigh Support Height	1"
Pelvic Contour Height	.5"

WEIGHT CAPACITY

16" Wide	250 lbs
18" Wide	300 lbs
20" Wide	350 lbs
22" Wide & Wider	400 lbs

STANDARD SIZES

	16" W	18" W	20" W	22" W	24" W
16" D	16 x 16	18 x 16	20 x 16	22 x 16	24 x 16
18" D	16 x 18	18 x 18	20 x 18	22 x 18	24 x 18
20" D	16 x 20	18 x 20	20 x 20	22 x 20	24 x 20

Additional Sizes Available

ASCENT PART NUMBERS

Cover Style	Stretch-Air™	Comfort-Tek™
Standard	AC-GS-WWDD	AC-GF-WWDD

WWDD to be replaced / WW = width & DD = depth in inches

CURVE®

PRODUCT FEATURES



1. Mild anti-thrust shelf promotes postural stability and helps prevent forward migration.
2. Medial thigh separator promotes postural alignment.
3. High density, molded foam increases surface area reducing potential peak pressure areas.
4. Non-skid flat bottom fabric offers hook and loop attachment.

DIMENSIONS

Seat Thickness	3"
Inferior Thigh Support Thickness	2.25"
Medial Thigh Support Thickness	1"
Lateral Thigh Support Height	1"
Pelvic Contour Height	1"

WEIGHT CAPACITY

12" Wide & Under	100 lbs
14" Wide	150 lbs
16" Wide	250 lbs
18" Wide	300 lbs
20" Wide	350 lbs
22" Wide & Wider	400 lbs

PEDIATRIC SIZES

	10" W	12" W	14" W
10" D	10 x 10	12 x 10	14 x 10
12" D	10 x 12	12 x 12	14 x 12
14" D	10 x 14	12 x 14	14 x 14
16" D		12 x 16	14 x 16
18" D			14 x 18

CLINICIAN TIP
Top general use choice for pressure redistribution and stability

STANDARD SIZES

	16" W	18" W	20" W	22" W	24" W
14" D	16 x 14				
16" D	16 x 16	18 x 16	20 x 16	22 x 16	24 x 16
18" D	16 x 18	18 x 18	20 x 18	22 x 18	24 x 18
20" D	16 x 20	18 x 20	20 x 20	22 x 20	24 x 20

Additional Sizes Available

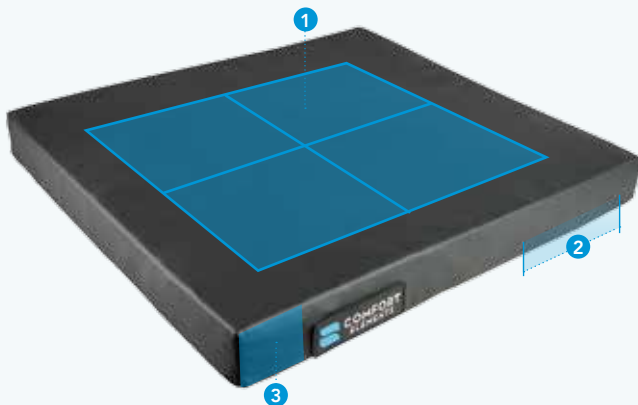
CURVE PART NUMBERS

Cover Style	Stretch-Air™	Comfort-Tek™
Standard	CU-SV-WWDD	CU-FV-WWDD

WWDD to be replaced / WW = width & DD = depth in inches

ELEMENTS® WITH GEL

PRODUCT FEATURES



1. Four compartment inset QuadraGel® is designed to prevent gel migration and redistributes pressure to provide maximum comfort.
2. Non-skid flat bottom fabric offers hook and loop attachments.
3. Single layer foam construction contours to the user's body reducing high pressure areas.

QUADRAGEL®

The QuadraGel® prevents gel migration and redistributes pressure for comfort



WEIGHT CAPACITY

16" Wide	250 lbs
18" Wide	300 lbs
20" Wide	350 lbs
22" Wide & Wider	400 lbs

STANDARD SIZES

	16" W	18" W	20" W	22" W	24" W
16" D	16 x 16	18 x 16	20 x 16	22 x 16	24 x 16
18" D	16 x 18	18 x 18	20 x 18	22 x 18	24 x 18
20" D	16 x 20	18 x 20	20 x 20	22 x 20	24 x 20

Additional Sizes Available

ELEMENTS WITH GEL PART NUMBERS

Seat Thickness	Stretch-Air™	Comfort-Tek™
2" Seat Thickness	46GS-WWDD-B	46G-WWDD-B
3" Seat Thickness	463GS-WWDD-B	463G-WWDD-B

WWDD to be replaced / WW = width & DD = depth in inches

LATERAL THIGH SUPPORTS



PRODUCT FEATURES

- Lateral thigh supports come in two styles: rigid and rigid contoured for anti-thrust cushions
- T-Nut spacing along lateral thigh supports is 1" on center running the entire length of the pad
- Quick Release hardware features an easy-to-use pull mechanism
- Versatile hardware allows support to be positioned at multiple angles
- Rigid hardware is fully adjustable. Requires tool for removal.

AVAILABLE SIZES

	4" D	5" D	6" D	8" D	10" D	12" D	14" D	16" D
3" L	3 x 4	3 x 5						
4" L	4 x 4		4 x 6	4 x 8	4 x 10	4 x 12	4 x 14	4 x 16

LATERAL THIGH SUPPORT PART NUMBERS

Lateral Thigh Support Style	Stretch-Air	Comfort-Tek
Rigid Pad	HG1-RSLHDD	HG1-RFLHDD
Rigid Contoured Pad Left Side	HG1-RSLHDD-AL	HG1-RFLHDD-AL
Rigid Contoured Pad Right Side	HG1-RSLHDD-AR	HG1-RFLHDD-AR

*Length (L) refers to the actual size dimension of the support from bottom to top edge.
LD to be replaced / L = length & D = depth in inches

LATERAL THIGH SUPPORT HARDWARE PART NUMBERS

Lateral Thigh Support Hardware	Left	Right
Quick Release Hardware	HGL-QR	HGR-QR
Rigid Hardware	HGL-RS	HGR-RS
Additional 1" Link	HG1-LINK	HG1-LINK

RIGID INSERT



PRODUCT FEATURES

- Decreases the "hammock" effect in outstretched wheelchair upholstery and provides extra support for heavier users
- Designed to fit all Comfort Company cushions
- Made of ABS plastic
- Comes in 3/16" thickness

RIGID INSERT PART NUMBERS

RIDWWDD

WWDD to be replaced / WW = width & DD = depth in inches

Sizes Available: 10"W x 10"D - 28"W x 22"D

REMOVABLE SOLID SEAT PAN



PRODUCT FEATURES

- Includes a slotted aluminum pan and attaching hardware for 7/8" or 1" tubing
- Comes with two different cross bars to accommodate various wheelchair frame types
- Lateral thigh supports can be easily attached

REMOVABLE SOLID SEAT PAN PART NUMBERS

RSSP-1-WWDD

WWDD to be replaced / WW = width & DD = depth in inches

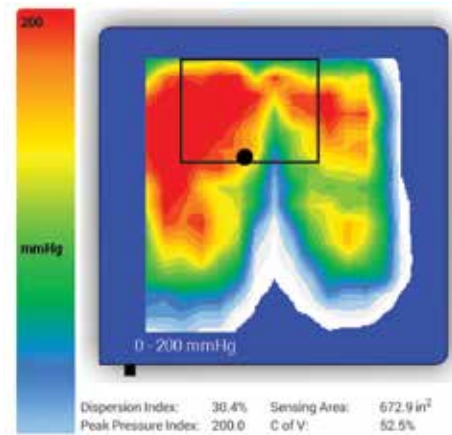
Sizes Available: 10"W x 10"D - 28"W x 22"D

BODITRAK LT PRESSURE MAT & TABLET

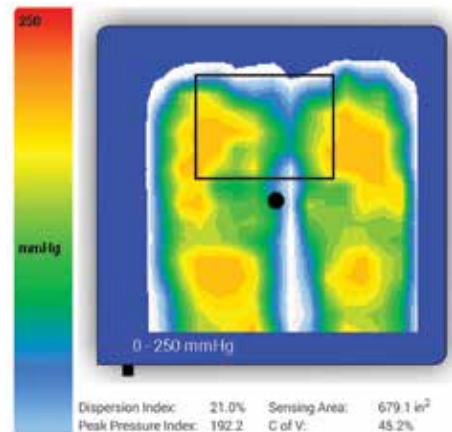
SIMPLE SEATING WIZARD COMPARISON



*Actual screen view - Simple Seating Wizard comparison



Identifiable High Pressure Areas



Product Selection Verification

BODITRAK LT, PRESSURE MAT & TABLET

BTLT



PRODUCT FEATURES

- Easy to use tablet and app-based software
- Aids in the proper diagnosis of seating needs
- Assists in communicating with patients through visuals
- Offers two modes: On-the-Go & Simple Seating Wizard

On-the-Go provides a quick and easy way to assess a person's situation on the seating surface over time. Simple Seating Wizard is a comparison tool for considering multiple solutions to seating issues. A series of up to four images can be taken to allow for side-by-side comparison of cushion performance.

REPLACEMENT COVER

GLIDE
WEAR®

Available with GlideWear®
Technology. See pg. 25 for details.



STRETCH-AIR™



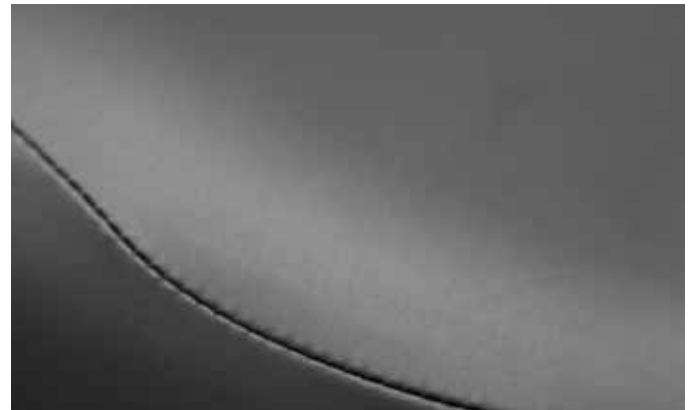
STRETCH-AIR™

Stretch-Air™ is designed to be airy and breathable with superior stretch. It provides heat dissipation for user comfort while the multi-directional stretch contributes to pressure relief by allowing the user to gain the full benefits of the cushion design.

COMFORT-TEK™

Comfort-Tek™ is smooth and strong yet extremely soft for comfort. The multidirectional stretch provides pressure relief by allowing the fabric to better conform to the individual's unique shape. Designed for infection control and as an incontinence barrier, Comfort-Tek™ is easily cleaned anytime with common disinfectants and is latex-free.

COMFORT-TEK™



REPLACEMENT COVERS ARE AVAILABLE FOR
SEATING SURFACES AND BACK SUPPORTS

PLEASE CONTACT CUSTOMER SERVICE OR VISIT
WWW.COMFORTCOMPANY.COM FOR PART NUMBERS.

INCONTINENT PROOF LINER



PRODUCT FEATURES

- Provides extra incontinence protection for seating surfaces.
- The liner may be used as an extra cover when the outer cover is being washed.
- Cushion style and size must be specified at time of order.

INCONTINENT PROOF PART NUMBERS

BINC-WWDD-CV

WWDD to be replaced / WW = width & DD = depth in inches